

1 2 3 4 5

A

A

B

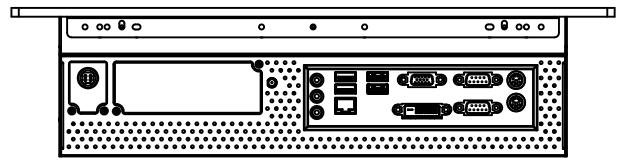
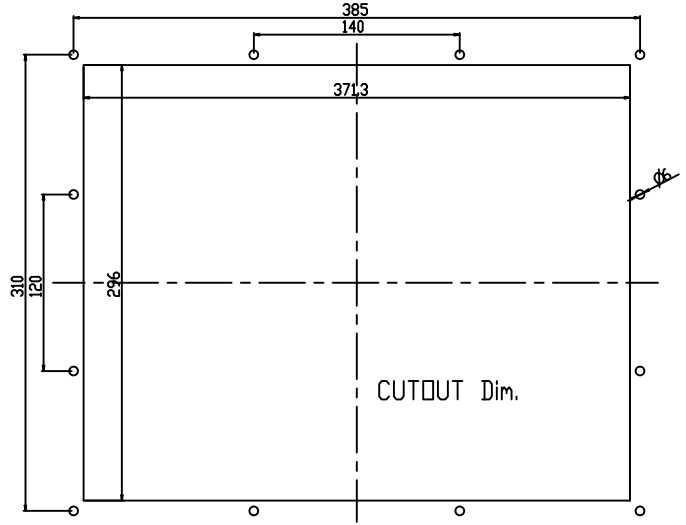
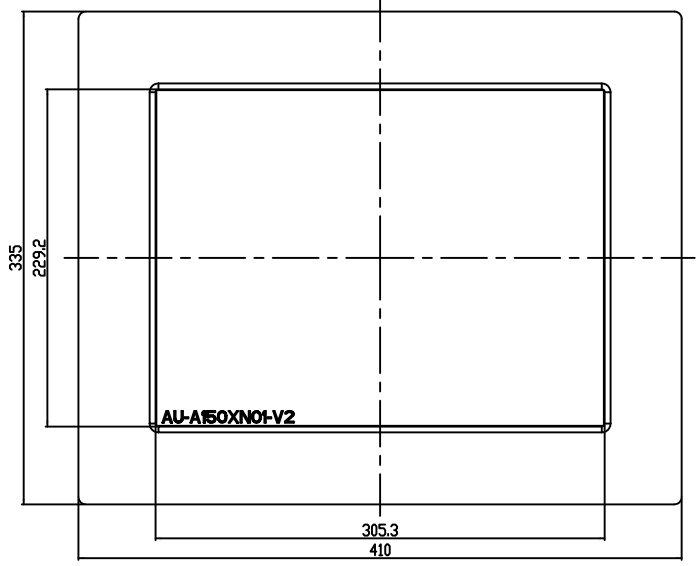
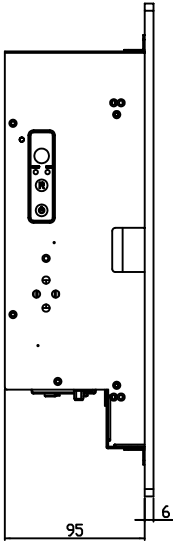
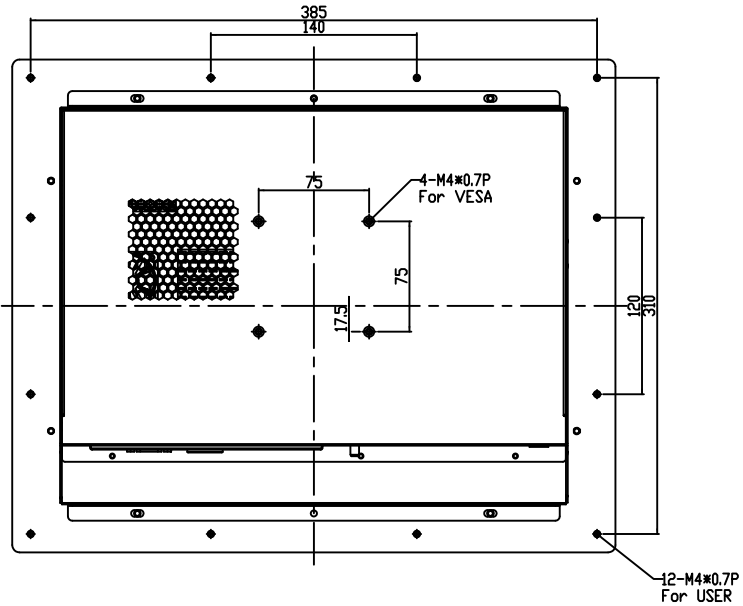
B

C

C

D

D



| | | | | | | | | | | | |
|----------|--|----------|----------|------|--------------------------------------|----------|--|-------|-----------|----------|-------|
| AD/BOARD | | MODEL | PPM15051 | | 泓瑜科技有限公司 WINSONIC TECH. CO., LTD. | | | | | | |
| INVERTER | | PART NO. | | | | | | | PART NAME | ASSEMBLY | |
| KEY PAD | | MATERIAL | METAL | DATE | 2012-Feb-07 | APPROVED | | DRAWN | Jack | SCALE | 1,000 |
| PANEL: | | | | | | | | | | UNIT | MM |

1 2 3 4 5