

1 2 3 4 5

A

B

C

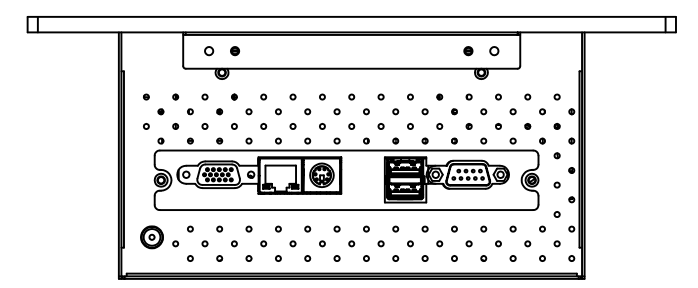
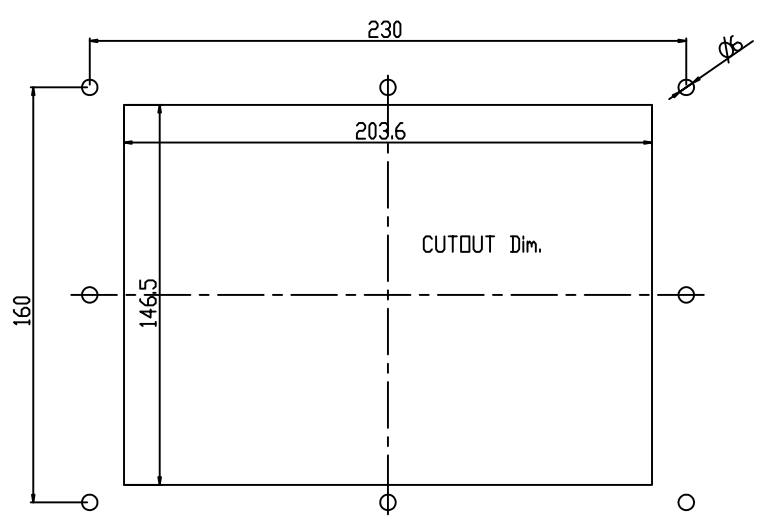
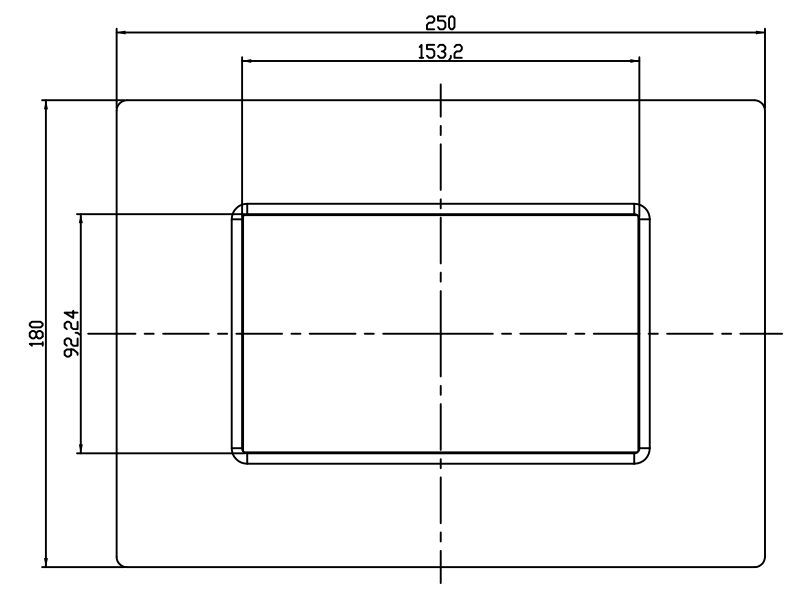
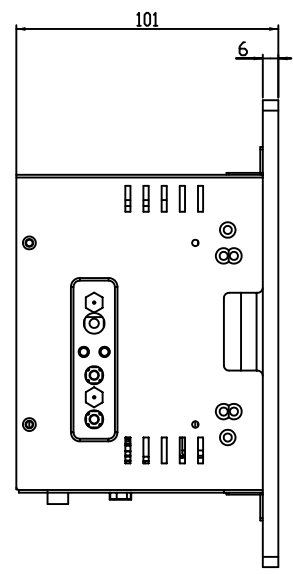
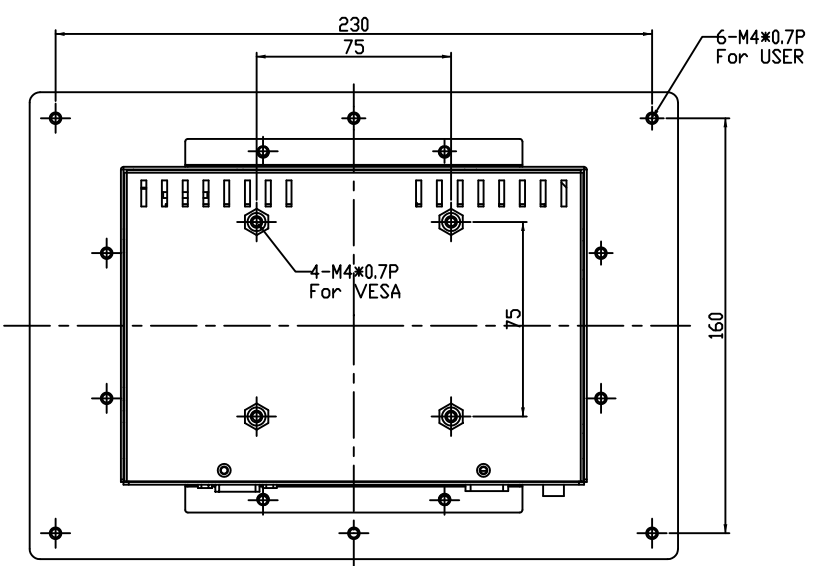
D

A

B

C

D



AD/BOARD		MODEL	PPM07062		泓瑜科技有限公司 WINSONIC TECH. CO., LTD.						
INVERTER		PART NO.									
KEY PAD		MATERIAL	METAL	DATE	2011-Oct-25	APPROVED		DRAWN	Jack	SCALE	1,000
PANEL										UNIT	MM

1 2 3 4 5