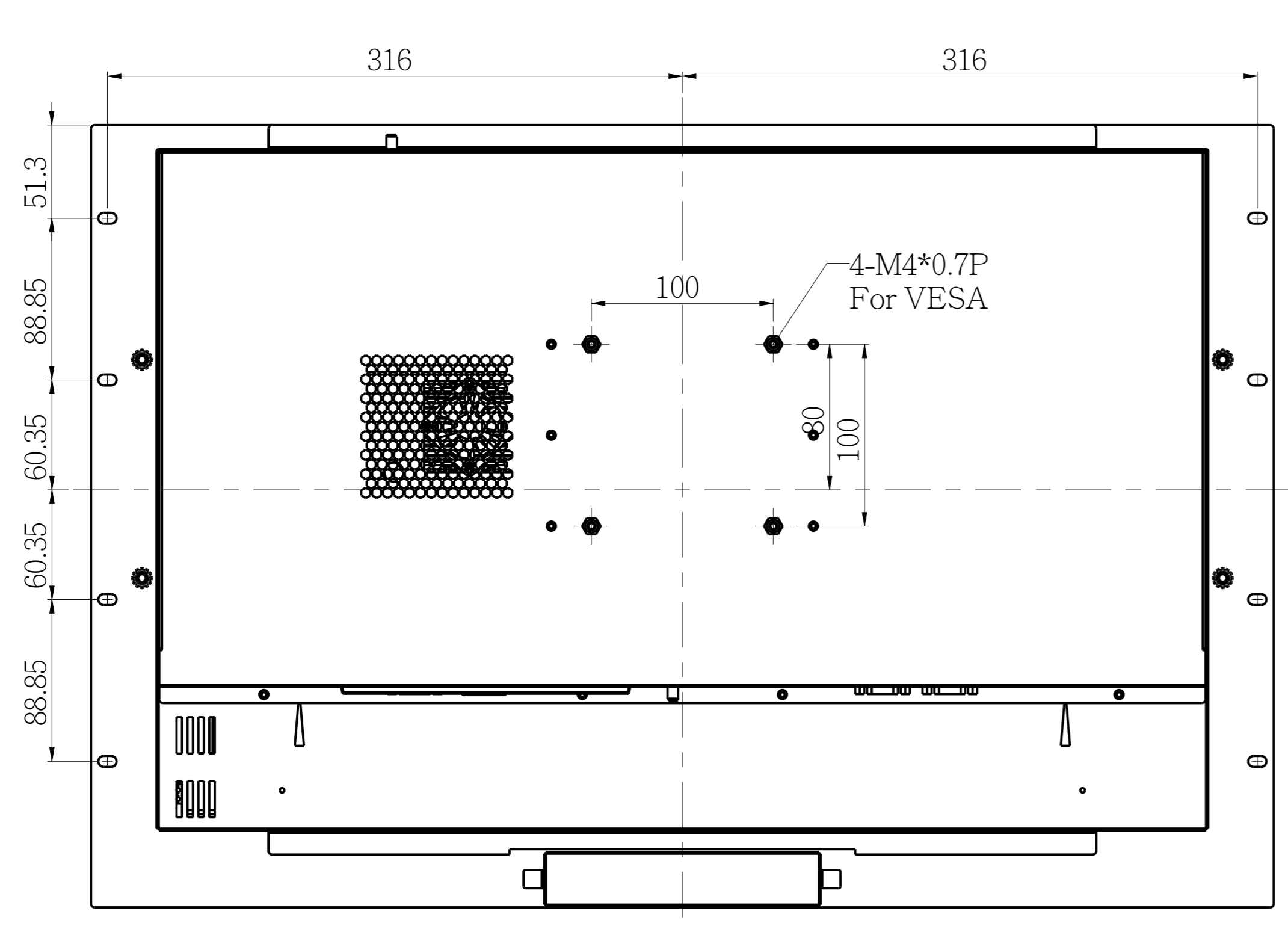
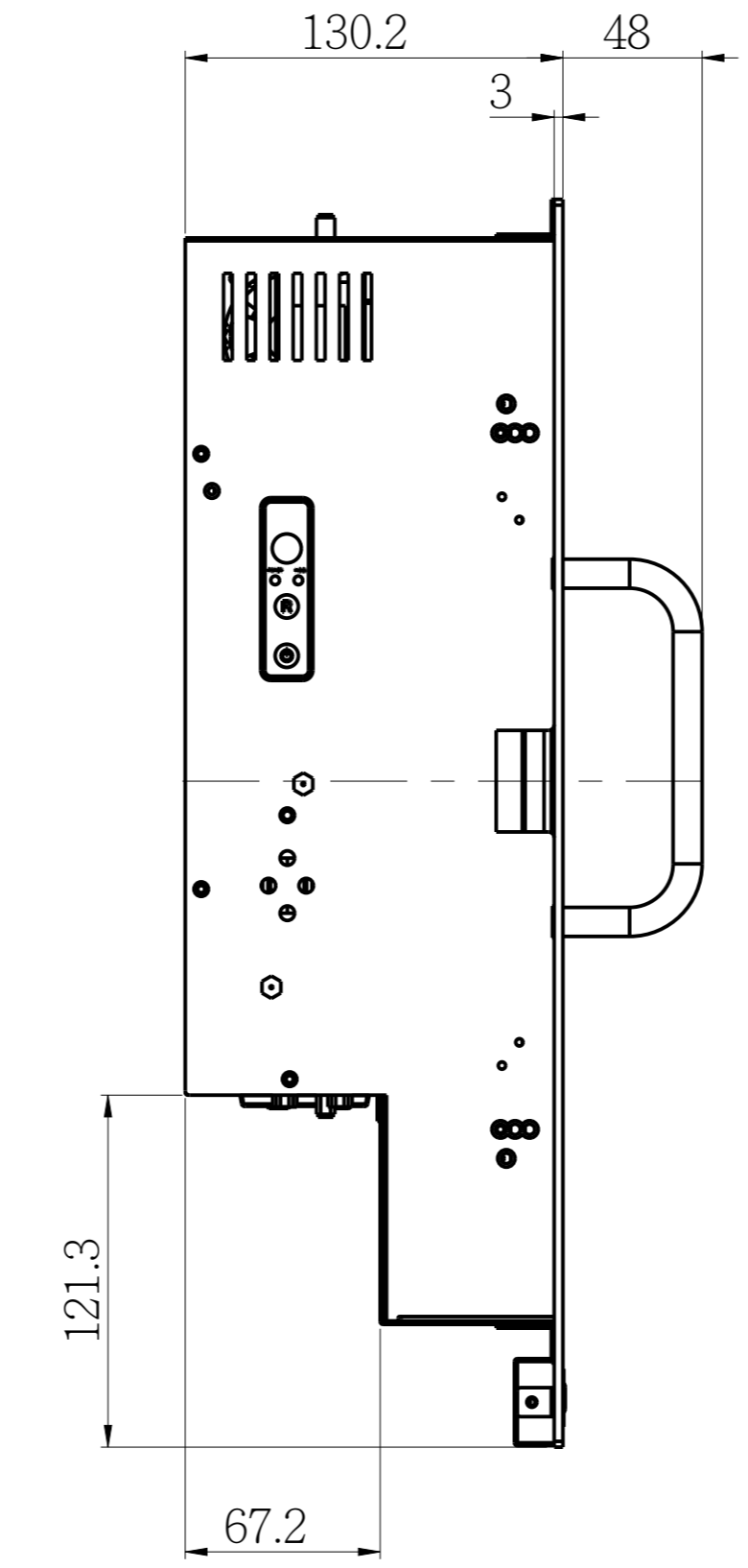


1 2 3 4 5

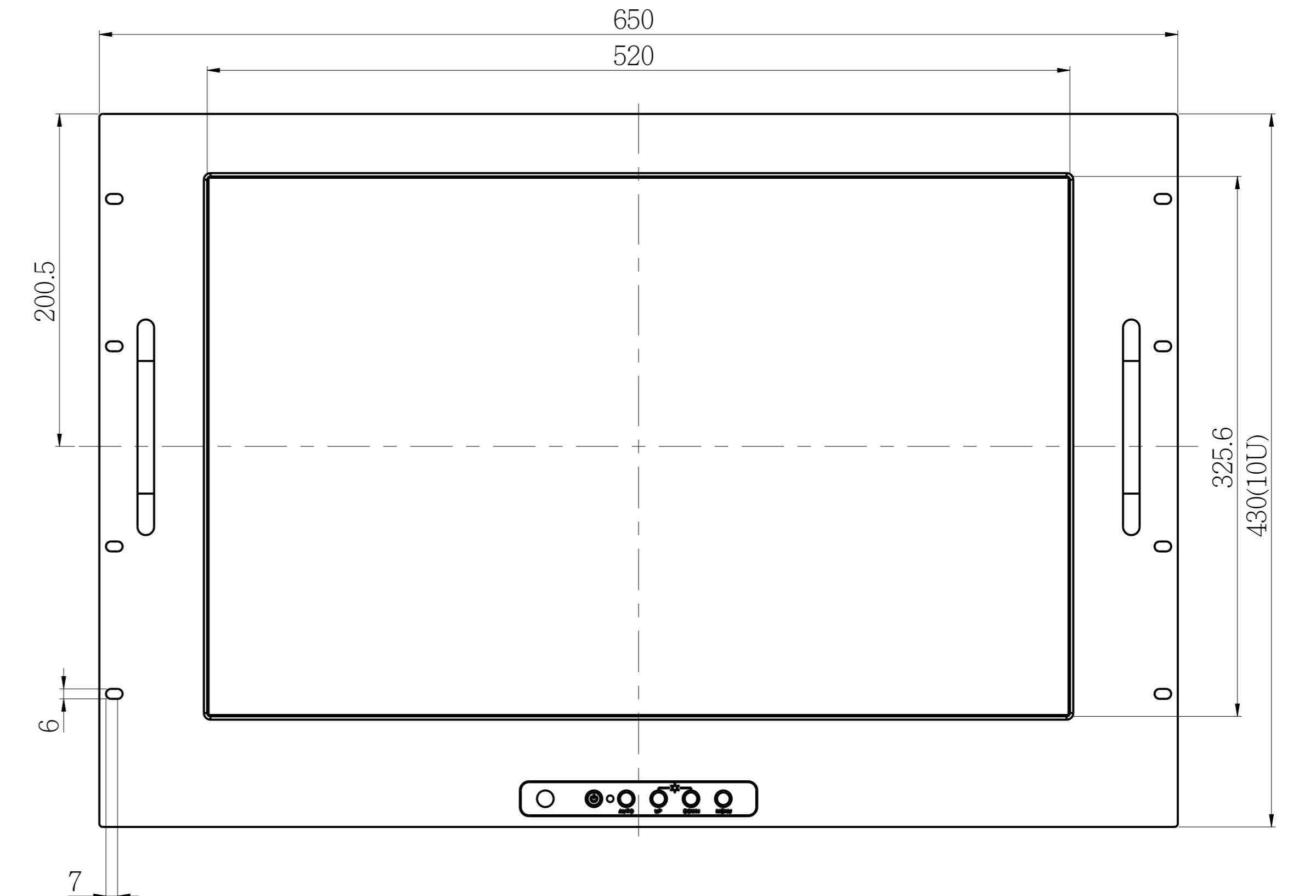
A



B

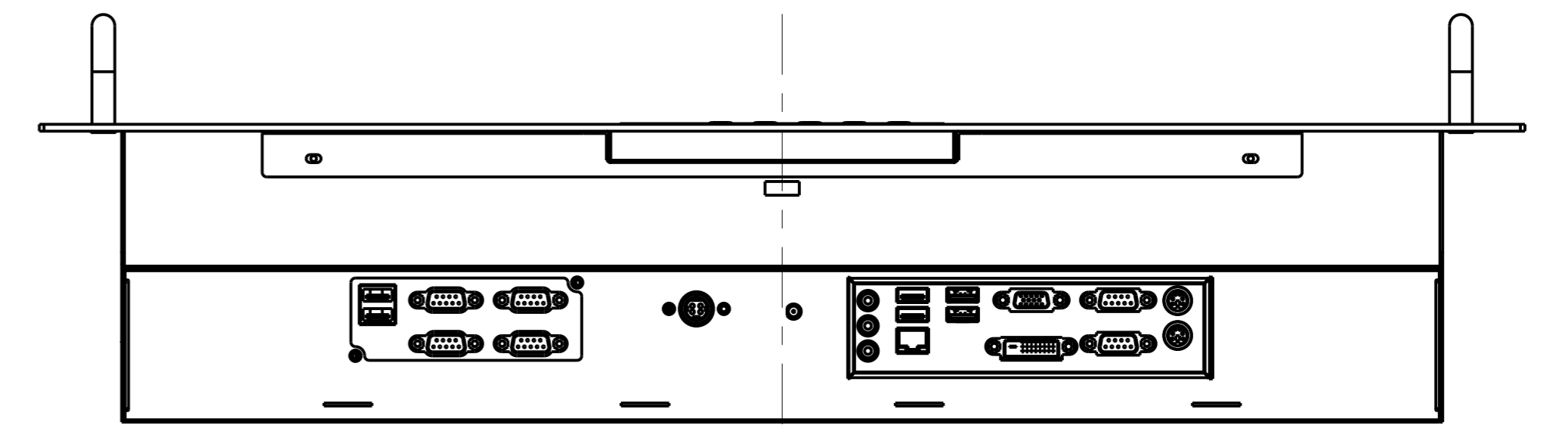


A



B

C



C

D

AD/BOARD		MODEL	PRM24151			泓瑜科技有限公司 WINSONIC TECH. CO., LTD.				
INVERTER										
KEY PAD										
PANEL:	VERSION	MATERIAL	METAL	DATE	2012-Jul-30	PART NAME	ASSEMBLY			
	V1					APPROVED	DRAWN	Chris	SCALE	0.400

1 2 3 4 5

D