

4

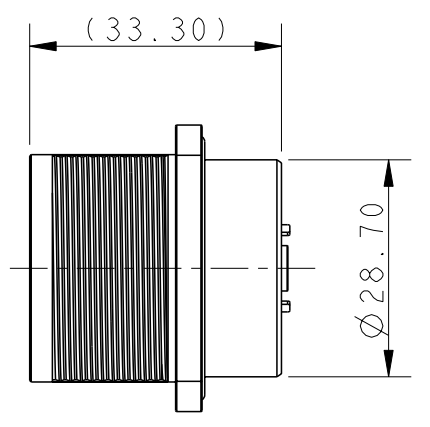
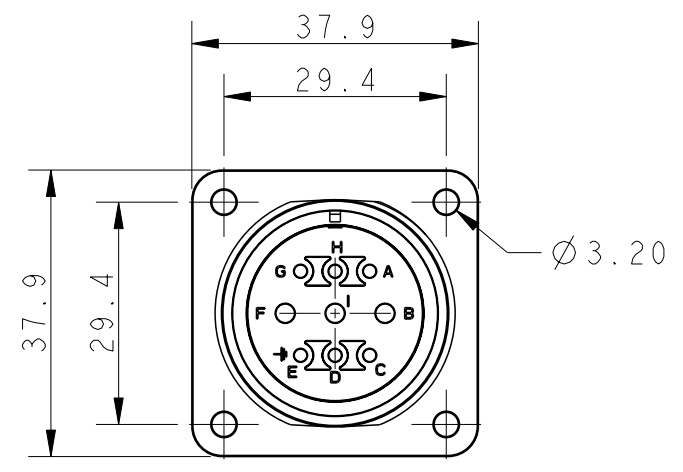
3

2

1

THIS DRAWING IS UNPUBLISHED. RELEASED FOR PUBLICATION 20
 © COPYRIGHT 20 BY - ALL RIGHTS RESERVED.

REVISIONS					
P	LTR	DESCRIPTION	DATE	DWN	APVD
	A	INITIAL RELEASE	6MAY2020	RG	CW



NOTES:

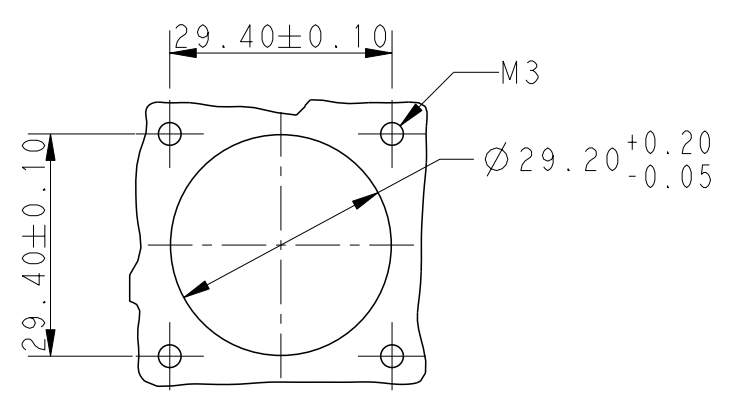
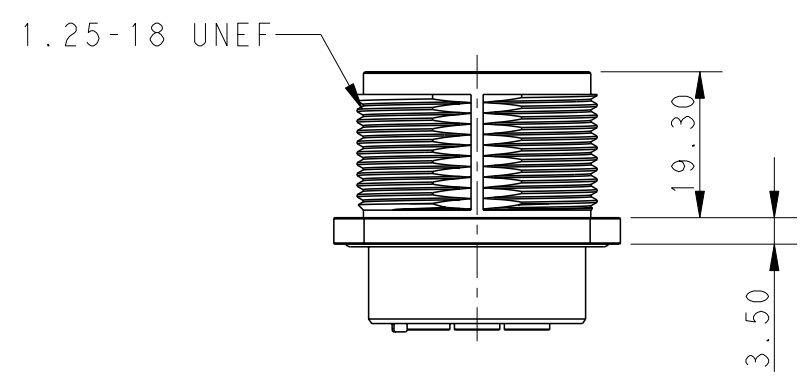
- TECHNICAL CHARACTERISTICS:
 RATED VOLTAGE: 500 V AC.
 RATED CURRENT: #12-23 A MAX.
 #16-13 A MAX.
 INSULATION RESISTANCE: 500MΩ Min.
 WITHSTANDING VOLTAGE: 2 KV AC 1 MINUTE.
 FLAMMABILITY: UL94V-0.
 MATING CYCLES: 500 CYCLES.
 CONTACT TYPE: CRIMP CONTACT.
 WIRE RANGE: #12:1.0-4.0 mm²(18-12 AWG)
 #16:0.14-1.0mm²(26-18 AWG)

- CONTACT NEED TO BE ORDERED SEPARATELY.
- UL CERTIFICATED.

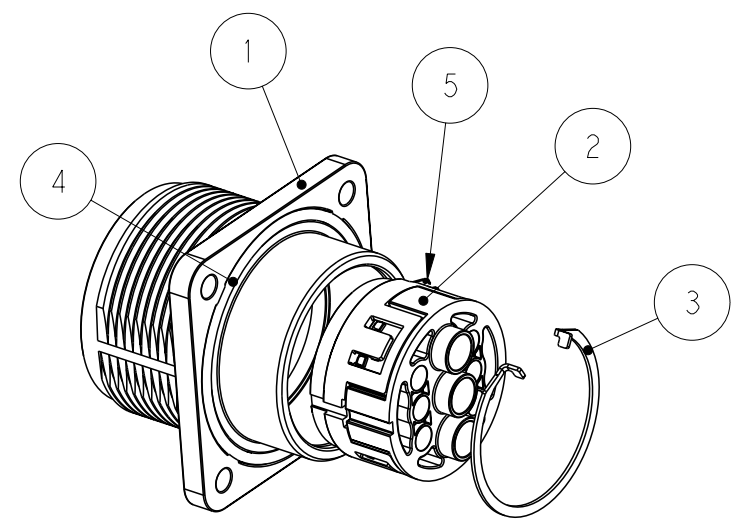
注释:

- 技术参数:
 额定电压: 500V AC.
 额定电流: #12-23 A MAX.
 #16-13 A MAX.
 绝缘电阻: 500MΩ Min.
 耐电压: 2 KV AC 1分钟.
 阻燃等级: UL94V-0.
 插拔次数: 500次.
 接线类型: 冷压接.
 接线范围: #12:1.0-4.0 mm²(18-12 AWG)
 #16:0.14-1.0mm²(26-18 AWG)

- 端子需要单独订购.
- UL认证.



RECOMMENDED LAYOUT



PART NUMBER 2374415-1

5	GROUND CONTACT	COPPER ALLOY
4	SEALING	SYNTHETIC RUBBER
3	LOCKING RING	STAINLESS STEEL
2	INSERT	POLYMER
1	SHELL	ZINC ALLOY
ITEM	DESCRIPTION	MATERIAL

DIMENSIONS:		TOLERANCES UNLESS OTHERWISE SPECIFIED:	
mm			
	0 PLC	±-	
	1 PLC	±-	
	2 PLC	±-	
	3 PLC	±	
	4 PLC	±-	
	ANGLES		±-
MATERIAL	-	FINISH	-

THIS DRAWING IS A CONTROLLED DOCUMENT.		DWN 6MAY2020 Robert Gan		APVD 6MAY2020 Chris Wang		TE Connectivity	
CHK 6MAY2020 Gino Yao		APVD 6MAY2020 Chris Wang		NAME N GEN ECONECT 20-18 RECEPTACLE KIT		RESTRICTED TO	
PRODUCT SPEC 108-137506		APPLICATION SPEC 114-137506		WEIGHT -		SCALE 1:1	
CUSTOMER DRAWING		SIZE A3		CAGE CODE 00779		DRAWING NO C-2374415	
		SHEET 1 OF 1		REV A			

printed on 2 Mar 2021 17:02 (China Standard Time) from FG086366