

THIS DRAWING IS UNPUBLISHED.

RELEASED FOR PUBLICATION

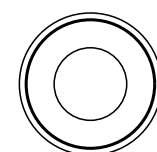
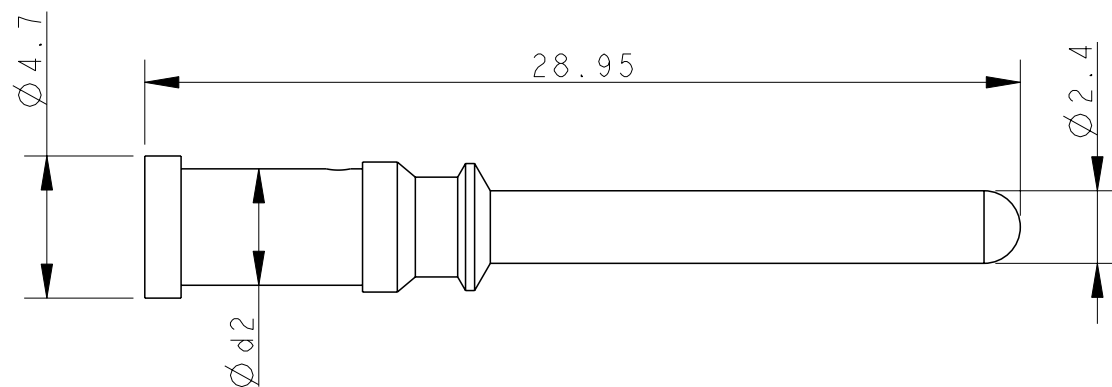
20

© COPYRIGHT 20 BY -

ALL RIGHTS RESERVED.

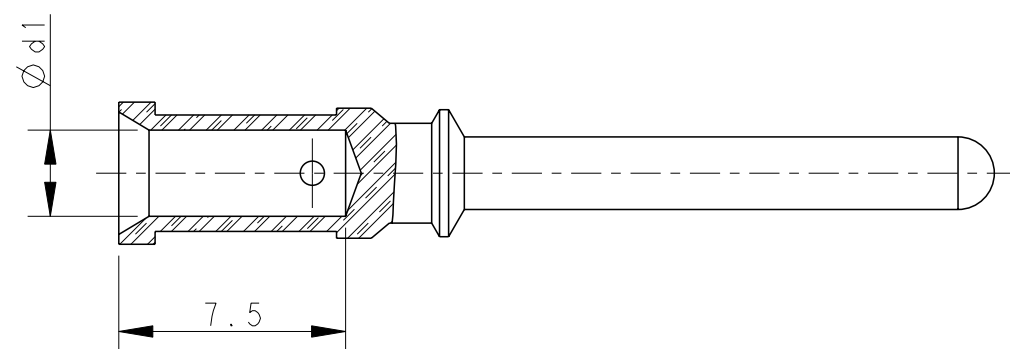
REVISIONS

P	LTR	DESCRIPTION	DATE	DWN	APVD
	A	INITIAL RELEASE	6JUN2021	RG	CW



NOTES:
 1. TECHNICAL CHARACTERISTICS:
 PIN CONTACT MATERIAL: BRASS
 SURFACE PLATING:
 SILVER PLATING: $\geq 2\mu\text{m}$
 GOLD PLATING: $\geq 0.75\mu\text{m}$
 CONTACT RESISTANCE: $\leq 3\text{ m}\Omega$
 WIRE RANGE: 0.14-2.5 mm² (18-12 AWG)

注释:
 1. 技术参数:
 公针材料: 黄铜
 表面电镀:
 镀银: $\geq 2\mu\text{m}$
 镀金: $\geq 0.75\mu\text{m}$
 接触电阻: $\leq 3\text{ m}\Omega$
 接线范围: 1.0-4.0 mm² (18-12 AWG)



SECTION B-B
 SCALE 4:1

PART NUMBER		$\phi d1$	$\phi d2$	WIRE GAUGE		STRIPPING LENGTH (mm)
SILVER PLATING	GOLD PLATING			mm ²	AWG	
1-2374196-6	1-2374196-7	2.75	3.60	2.5-4.0	14-12	7.5
2374196-5	1-2374196-0	1.45	2.65	1.0	18	
2374196-4	2374196-9	1.75	3.00	1.5	16	
2374196-3	2374196-8	2.25	3.45	2.5	14	
2374196-2	2374196-7	2.55	3.75	3.0	12	
2374196-1	2374196-6	2.85	3.85	4.0	12	

THIS DRAWING IS A CONTROLLED DOCUMENT.		DWN 6JUN2021 Robert Gan														
DIMENSIONS: mm		CHK 6JUN2021 Gino Yao														
TOLERANCES UNLESS OTHERWISE SPECIFIED:		APVD 6JUN2021 Chris Wang	NAME ECONECT No,12 MALE PIN													
<table border="0"> <tr><td>0 PLC</td><td>±-</td></tr> <tr><td>1 PLC</td><td>±-</td></tr> <tr><td>2 PLC</td><td>±-</td></tr> <tr><td>3 PLC</td><td>±-</td></tr> <tr><td>4 PLC</td><td>±-</td></tr> <tr><td>ANGLES</td><td>±-</td></tr> </table>		0 PLC	±-	1 PLC	±-	2 PLC	±-	3 PLC	±-	4 PLC	±-	ANGLES	±-	PRODUCT SPEC 108-137506	SIZE CAGE CODE DRAWING NO RESTRICTED TO	
0 PLC	±-															
1 PLC	±-															
2 PLC	±-															
3 PLC	±-															
4 PLC	±-															
ANGLES	±-															
MATERIAL		APPLICATION SPEC 114-137506	A300779 C-2374196													
FINISH		WEIGHT	SCALE 2:1 SHEET 1 OF 1 REV A													
		CUSTOMER DRAWING														

printed on 9 Jul 2021 13:22 (China Standard Time) from FG086366