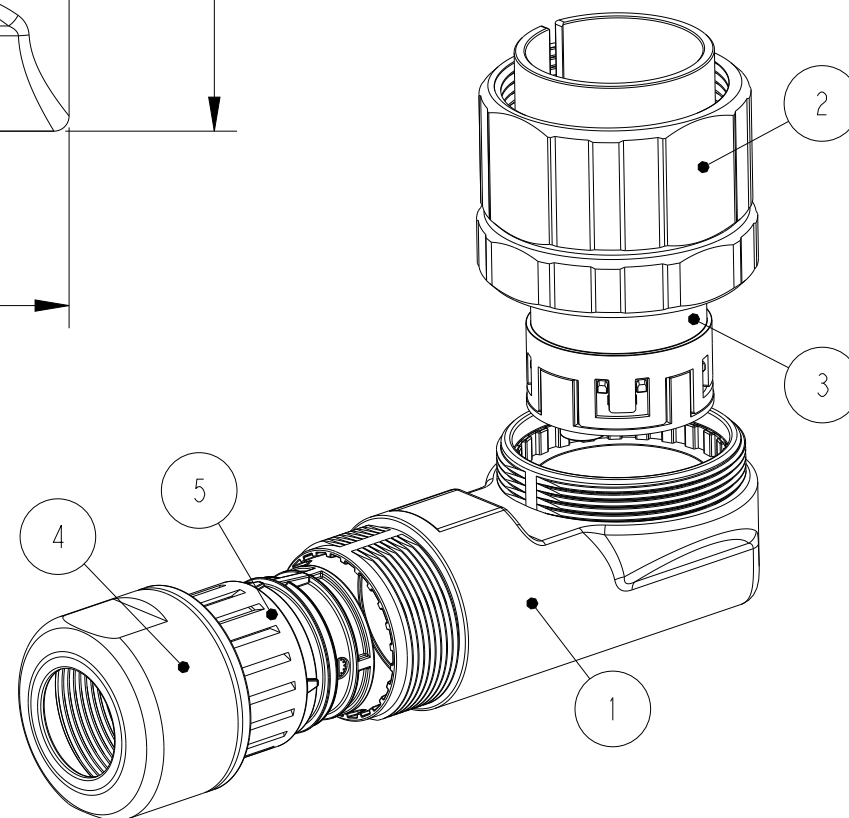
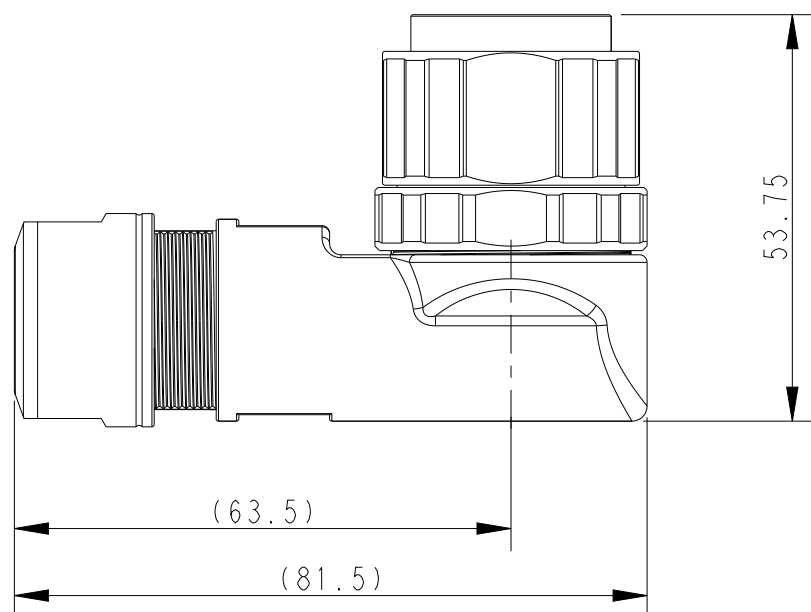
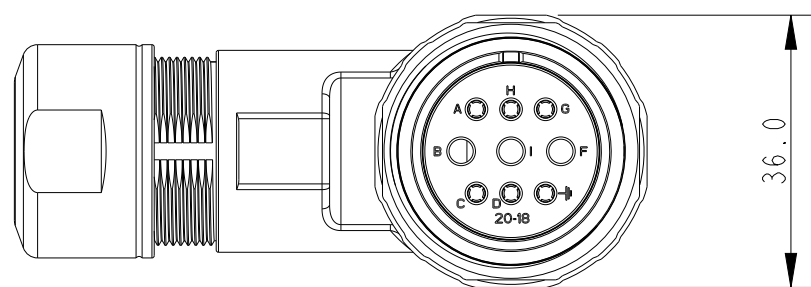


REVISIONS

P	LTR	DESCRIPTION	DATE	DWN	APVD
	A	INITIAL RELEASE	6MAY2020	RG	CW



NOTES:

- TECHNICAL CHARACTERISTICS:  
 RATED VOLTAGE: 500 V AC.  
 RATED CURRENT: #12-23 A MAX.  
 #16-13 A MAX.  
 INSULATION RESISTANCE: 500MΩ Min.  
 WITHSTANDING VOLTAGE: 2 KV AC 1 MINUTE.  
 FLAMMABILITY: UL94V-0.  
 MATING CYCLES: 500 CYCLES.  
 CONTACT TYPE: CRIMP CONTACT.  
 WIRE RANGE: #12:1.0-4.0 mm<sup>2</sup>(18-12 AWG)  
 #16:0.14-1.0mm<sup>2</sup>(26-18 AWG)

- CONTACT NEED TO BE ORDERED SEPARATELY.
- CABLE DIAMETER Ø9.5mm-Ø14.5mm.
- UL CERTIFICATED.

注释:

- 技术参数:  
 额定电压: 500V AC  
 额定电流: #12-23 A MAX.  
 #16-13 A MAX.  
 绝缘电阻: 500MΩ Min.  
 耐电压: 2 KV AC 1分钟.  
 阻燃等级: UL94V-0.  
 插拔次数: 500次.  
 接线类型: 冷压接.  
 接线范围: #12:1.0-4.0 mm<sup>2</sup>(18-12 AWG)  
 #16:0.14-1.0mm<sup>2</sup>(26-18 AWG)
- 端子需要单独订购.
- 线缆直径 Ø9.5mm-Ø14.5mm.
- UL 认证.

PART NUMBER 2374416-1

5	CABLE SEALING KIT	SYNTHETIC RUBBER
4	CLAMPING SCREW	ZINC ALLOY
3	INSERT	POLYMER
2	HOOD KIT	ZINC ALLOY
1	SHELL	ZINC ALLOY
ITEM	DESCRIPTION	MATERIAL

THIS DRAWING IS A CONTROLLED DOCUMENT.

DIMENSIONS:	TOLERANCES UNLESS OTHERWISE SPECIFIED:
mm	
	0 PLC ±-
	1 PLC ±-
	2 PLC ±-
	3 PLC ±-
	4 PLC ±-
	ANGLES ±-
MATERIAL	FINISH
-	-
-	-

DWN	Robert Gan	6MAY2020
CHK	Gino Yao	6MAY2020
APVD	Chris Wang	6MAY2020
PRODUCT SPEC	108-137506	
APPLICATION SPEC	114-137506	
WEIGHT	-	
CUSTOMER DRAWING		



NAME				N GEN ECONECT 20-18 PLUG CABLE KIT	
SIZE	CAGE CODE	DRAWING NO	RESTRICTED TO		
A3	00779	©-2374416	-		
SCALE		SHEET	OF	REV	
1:1		1	1	A	