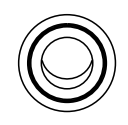
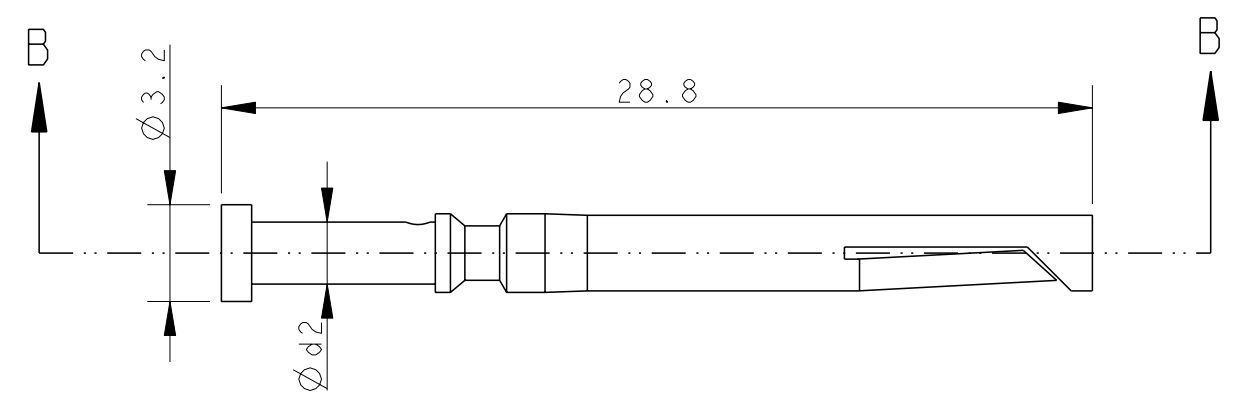


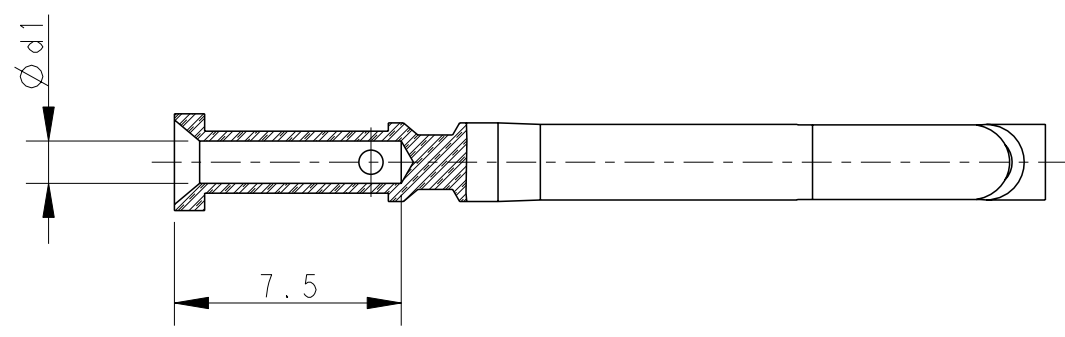
THIS DRAWING IS UNPUBLISHED. RELEASED FOR PUBLICATION 20  
 © COPYRIGHT 20 BY - ALL RIGHTS RESERVED.

REVISIONS					
P	LTR	DESCRIPTION	DATE	DWN	APVD
	A	INITIAL RELEASE	20JUN2021	RG	CW



NOTES:  
 1. TECHNICAL CHARACTERISTICS:  
 PIN CONTACT MATERIAL: BRASS  
 SURFACE PLATING:  
 SILVER PLATING:  $\geq 2\mu\text{m}$   
 GOLD PLATING:  $\geq 0.75\mu\text{m}$   
 CONTACT RESISTANCE:  $\leq 5\text{ m}\Omega$   
 WIRE RANGE: 0.14-1.0 mm<sup>2</sup> (26-18 AWG)

注释:  
 1. 技术参数:  
 公针材料: 黄铜  
 表面电镀:  
 镀银:  $\geq 2\mu\text{m}$   
 镀金:  $\geq 0.75\mu\text{m}$   
 接触电阻:  $\leq 5\text{ m}\Omega$   
 接线范围: 0.14-1.0 mm<sup>2</sup> (26-18 AWG)



SECTION B-B  
 SCALE 4:1

PART NUMBER		$\phi d1$	$\phi d2$	WIRE GAUGE		STRIPPING LENGTH (mm)
SILVER PLATING	GOLD PLATING			mm <sup>2</sup>	AWG	
2374195-1	2374195-5	1.45	2.60	1.0	18	7.5
2374195-2	2374195-6	1.30	2.60	0.75	18	
2374195-3	2374195-7	1.10	2.60	0.5	20	
2374195-4	2374195-8	0.9	2.55	0.14-0.37	26-22	
1-2374195-3	1-2374195-4	1.40	2.05	0.14-1.0	26-18	

THIS DRAWING IS A CONTROLLED DOCUMENT.		DWN 20JUN2021 Robert Gan	<b>TE</b> TE Connectivity	
		CHK 20JUN2021 Gino Yao		
DIMENSIONS: mm		APVD 20JUN2021 Chris Wang	NAME ECONNECT No.16 FEMALE PIN	
TOLERANCES UNLESS OTHERWISE SPECIFIED: 0 PLC $\pm$ - 1 PLC $\pm$ - 2 PLC $\pm$ - 3 PLC $\pm$ - 4 PLC $\pm$ - ANGLES $\pm$ -		PRODUCT SPEC 108-137506		
MATERIAL -		APPLICATION SPEC 114-137506	SIZE A3	CAGE CODE 00779
FINISH -		WEIGHT -	DRAWING NO C-2374195	RESTRICTED TO -
		CUSTOMER DRAWING	SCALE 4:1	SHEET 1 OF 1 REV A

printed on 9 Jul 2021 13:21 (China Standard Time) from FG086366