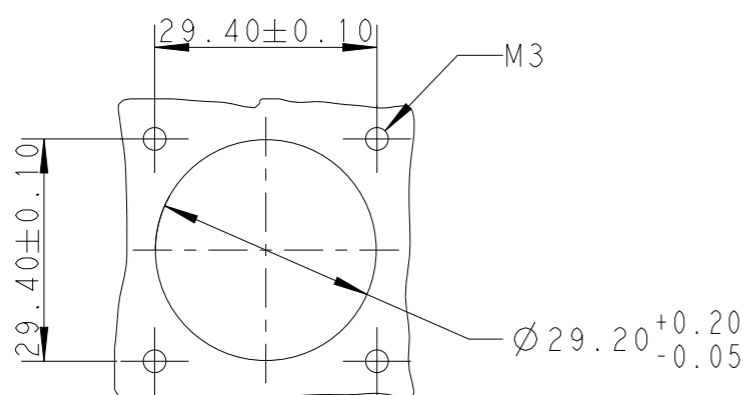
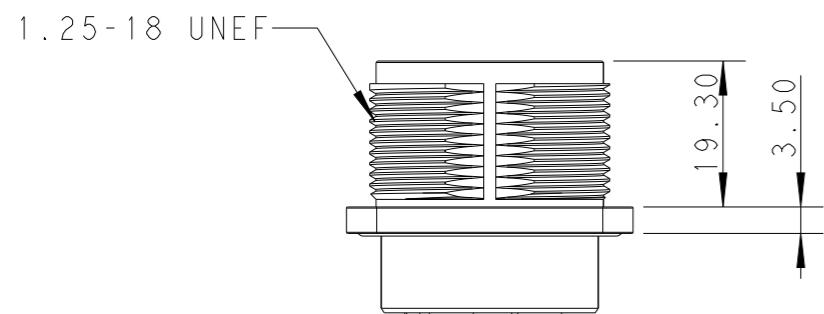
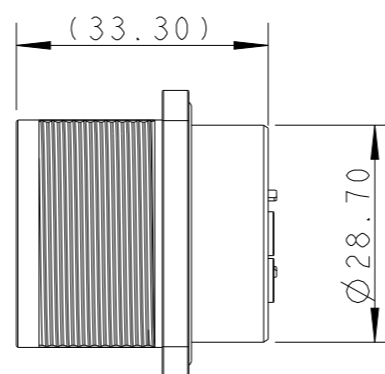
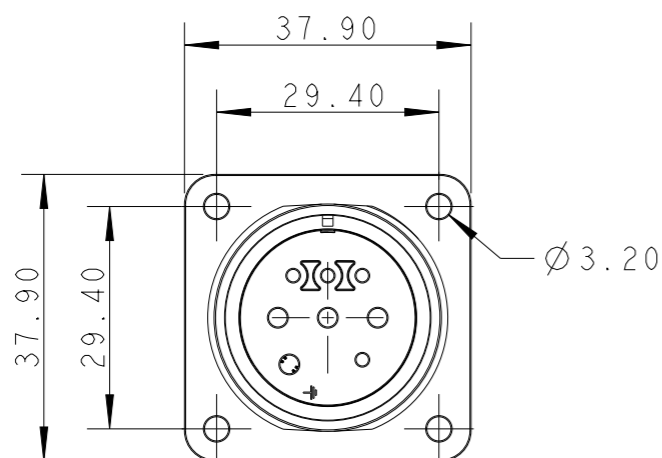
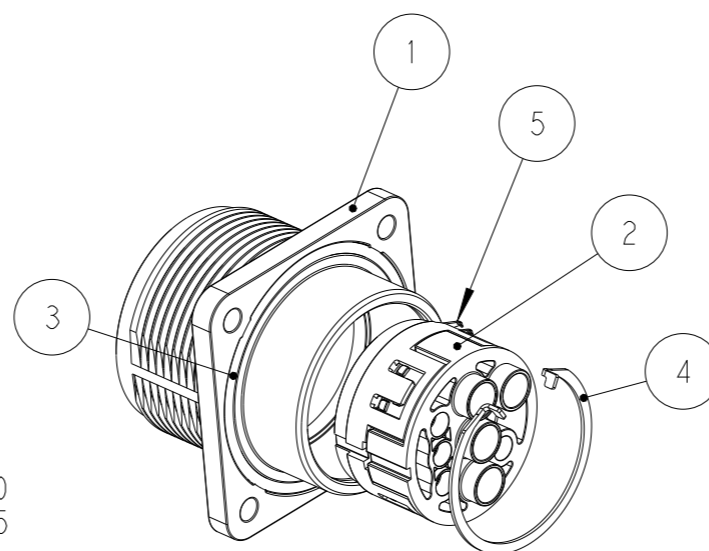


REVISIONS

P	LTR	DESCRIPTION	DATE	DWN	APVD
	A	INITIAL RELEASE	6MAY2020	RG	CW



RECOMMENDED LAYOUT



NOTES:

- TECHNICAL CHARACTERISTICS:  
 RATED VOLTAGE: 500 V AC.  
 RATED CURRENT: #12-23 A MAX.  
                           #16-13 A MAX.  
 INSULATION RESISTANCE: 500MΩ Min.  
 WITHSTANDING VOLTAGE: 2 KV AC 1 MINUTE.  
 FLAMMABILITY: UL94V-0.  
 MATING CYCLES: 500 CYCLES.  
 CONTACT TYPE: CRIMP CONTACT.  
 WIRE RANGE: #12:1.0-4.0 mm<sup>2</sup>(18-12 AWG)  
                   #16:0.14-1.0mm<sup>2</sup>(26-18 AWG)

- CONTACT NEED TO BE ORDERED SEPARATELY.
- UL CERTIFICATED.

注释:

- 技术参数:  
 额定电压: 500V AC  
 额定电流: #12-23 A MAX.  
                   #16-13 A MAX.  
 绝缘电阻: 500MΩ Min.  
 耐电压: 2 KV AC 1分钟.  
 阻燃等级: UL94V-0.  
 插拔次数: 500次.  
 接线类型: 冷压接.  
 接线范围: #12:1.0-4.0 mm<sup>2</sup>(18-12 AWG)  
                   #16:0.14-1.0mm<sup>2</sup>(26-18 AWG)

- 端子需要单独订购.

- UL认证.

PART NUMBER 2374420-1

5	GROUND CONTACT	COPPER ALLOY
4	LOCKING RING	STAINLESS STEEL
3	SEALING RING	SYNTHETIC RUBBER
2	INSERT	POLYMER
1	SHELL	ZINC ALLOY
ITEM	DESCRIPTION	MATERIAL

THIS DRAWING IS A CONTROLLED DOCUMENT.

DIMENSIONS:	TOLERANCES UNLESS OTHERWISE SPECIFIED:
mm	
	0 PLC ±-
	1 PLC ±-
	2 PLC ±-
	3 PLC ±-
	4 PLC ±-
	ANGLES ±-
MATERIAL	FINISH
-	-
-	-

DWN	6MAY2020
Robert Gan	
CHK	6MAY2020
Gino Yao	
APVD	6MAY2020
Chris Wang	
PRODUCT SPEC	108-137506
APPLICATION SPEC	114-137506
WEIGHT	-
CUSTOMER DRAWING	



NAME				N GEN ECONECT	
				20-18 CUZD RECEPTACLE KIT	
SIZE	CAGE CODE	DRAWING NO	RESTRICTED TO		
A3	00779	C-2374420	-		
SCALE		SHEET	OF	REV	
1:1		1	1	A	