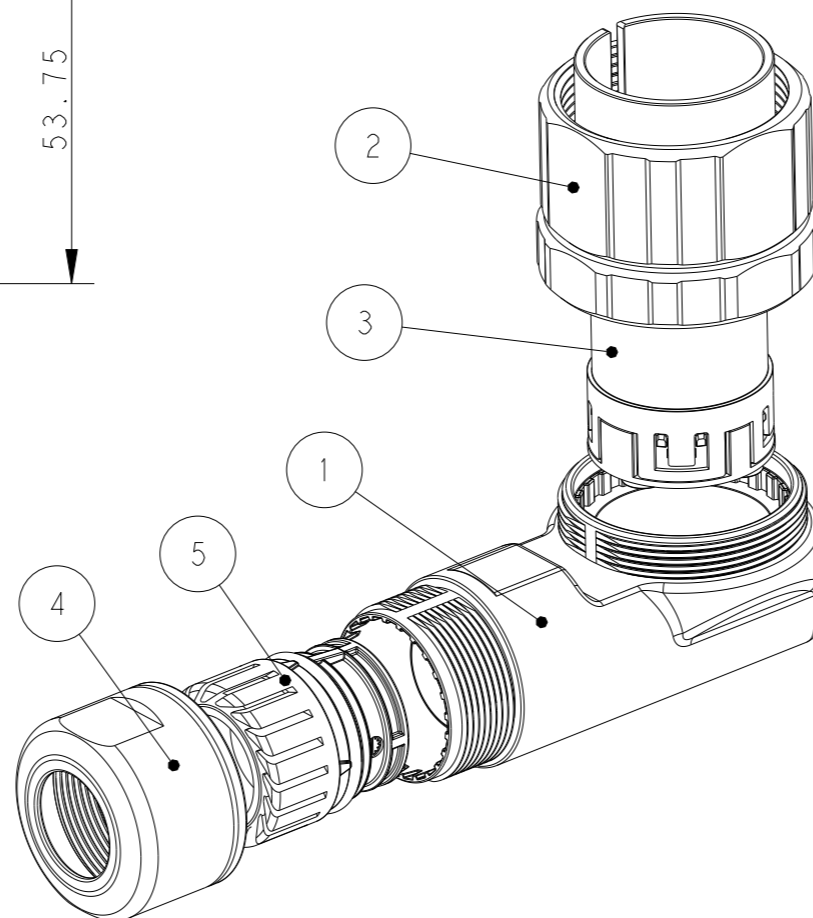
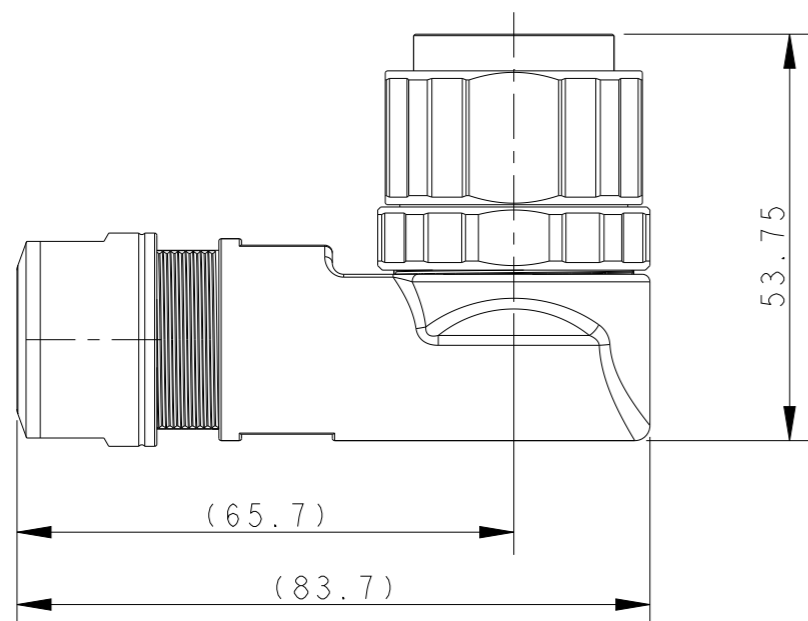
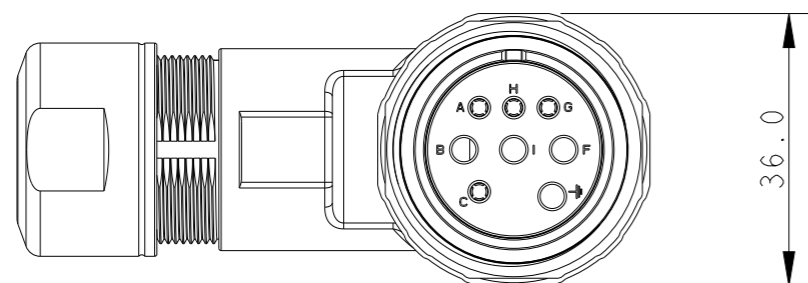


REVISIONS

P	LTR	DESCRIPTION	DATE	DWN	APVD
	A	INITIAL RELEASE	6MAY2020	RG	CW



NOTES:

- TECHNICAL CHARACTERISTICS:
 RATED VOLTAGE: 500 V AC.
 RATED CURRENT: #12-23 A MAX.
 #16-13 A MAX.
 INSULATION RESISTANCE: 500MΩ Min.
 WITHSTANDING VOLTAGE: 2 KV AC 1 MINUTE.
 FLAMMABILITY: UL94V-0.
 MATING CYCLES: 500 CYCLES.
 CONTACT TYPE: CRIMP CONTACT.
 WIRE RANGE: #12:1.0-4.0 mm²(18-12 AWG)
 #16:0.14-1.0mm²(26-18 AWG)

- CONTACT NEED TO BE ORDERED SEPARATELY.
- CABLE DIAMETER Ø9.5mm-Ø14.5mm.
- UL CERTIFICATED.

注释:

- 技术参数:
 额定电压: 500V AC.
 额定电流: #12-23 A MAX.
 #16-13 A MAX.
 绝缘电阻: 500MΩ Min.
 耐电压: 2 KV AC 1分钟.
 阻燃等级: UL94V-0.
 插拔次数: 500次.
 接线类型: 冷压接.
 接线范围: #12:1.0-4.0 mm²(18-12 AWG)
 #16:0.14-1.0mm²(26-18 AWG)

- 端子需要单独订购.
- 线缆直径 Ø9.5mm-Ø14.5mm
- UL 认证.

PART NUMBER 2374421-1

ITEM	DESCRIPTION	MATERIAL
5	CABLE SEALING KIT	SYNTHETIC RUBBER
4	CLAMPING SCREW	ZINC ALLOY
3	INSERT	POLYMER
2	HOOD KIT	ZINC ALLOY
1	SHELL	ZINC ALLOY

THIS DRAWING IS A CONTROLLED DOCUMENT.

DIMENSIONS:	TOLERANCES UNLESS OTHERWISE SPECIFIED:
mm	
	0 PLC ±-
	1 PLC ±-
	2 PLC ±-
	3 PLC ±-
	4 PLC ±-
	ANGLES ±-
MATERIAL	FINISH
-	-
-	-

DWN	6MAY2020
Robert Gan	
CHK	6MAY2020
Gino Yao	
APVD	6MAY2020
Chris Wang	
PRODUCT SPEC	108-137506
APPLICATION SPEC	114-137506
WEIGHT	-
CUSTOMER DRAWING	



NAME				RESTRICTED TO	
N GEN ECONECT				-	
20-18 CUZD PLUG CABLE KIT				-	
SIZE	CAGE CODE	DRAWING NO			
A3	00779	2374421			
SCALE		SHEET	OF	REV	
1:1		1	1	A	