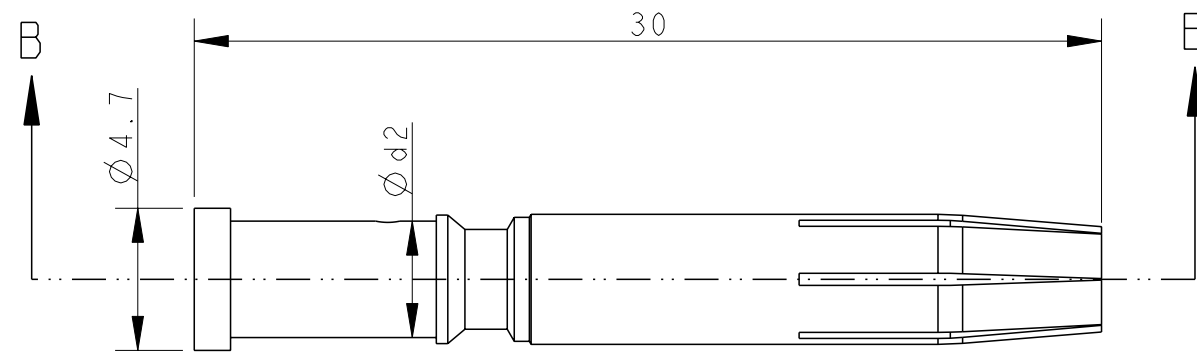
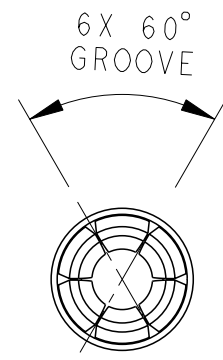


THIS DRAWING IS UNPUBLISHED. RELEASED FOR PUBLICATION 20
 © COPYRIGHT 20 BY - ALL RIGHTS RESERVED.

REVISIONS					
P	LTR	DESCRIPTION	DATE	DWN	APVD
	A	INITIAL RELEASE	20JUN2021	RG	CW

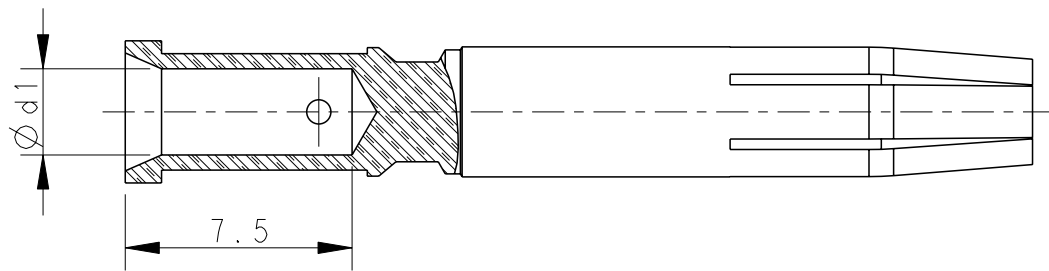


SCALE 4:1



NOTES:
 1. TECHNICAL CHARACTERISTICS:
 PIN CONTACT MATERIAL: BRASS
 SURFACE PLATING:
 SILVER PLATING: $\geq 2\mu\text{m}$
 GOLD PLATING: $\geq 0.75\mu\text{m}$
 CONTACT RESISTANCE: $\leq 3\text{ m}\Omega$
 WIRE RANGE: 1.0-4.0 mm² (18-12 AWG)

注释:
 1. 技术参数:
 公针材料: 黄铜
 表面电镀:
 镀银: $\geq 2\mu\text{m}$
 镀金: $\geq 0.75\mu\text{m}$
 接触电阻: $\leq 3\text{ m}\Omega$
 接线范围: 1.0-4.0 mm² (18-12 AWG)



SECTION B-B

PART NUMBER		$\phi d1$	$\phi d2$	WIRE GAUGE		STRIPPING LENGTH 剥线长度 (mm)
SILVER PLATING 镀银	GOLD PLATING 镀金			mm ²	AWG	
1-2374192-6	1-2374192-7	2.75	3.60	2.5-4	14-12	7.5
2374192-5	1-2374192-0	1.45	2.65	1.0	18	
2374192-4	2374192-9	1.75	3.00	1.5	16	
2374192-3	2374192-8	2.25	3.45	2.5	14	
2374192-2	2374192-7	2.55	3.75	3.0	12	
2374192-1	2374192-6	2.85	3.85	4.0	12	

THIS DRAWING IS A CONTROLLED DOCUMENT.		DWN Robert Gan 20JUN2021			
DIMENSIONS: mm		CHK Gino Yao 20JUN2021			
TOLERANCES UNLESS OTHERWISE SPECIFIED:		APVD Chris Wang 20JUN2021	NAME ECONECT No,12 FEMALE PIN		
0 PLC ±- 1 PLC ±- 2 PLC ±- 3 PLC ±- 4 PLC ±- ANGLES ±-		PRODUCT SPEC 108-137506	RESTRICTED TO		
MATERIAL		APPLICATION SPEC 114-137506	SIZE A3	CAGE CODE 00779	DRAWING NO C-2374192
FINISH		WEIGHT	SCALE 4:1 SHEET 1 OF 1 REV A		
		CUSTOMER DRAWING			

printed on 9 Jul 2021 13:19 (China Standard Time) from FG086366