

THIS DRAWING IS UNPUBLISHED.

RELEASED FOR PUBLICATION

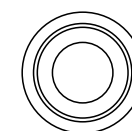
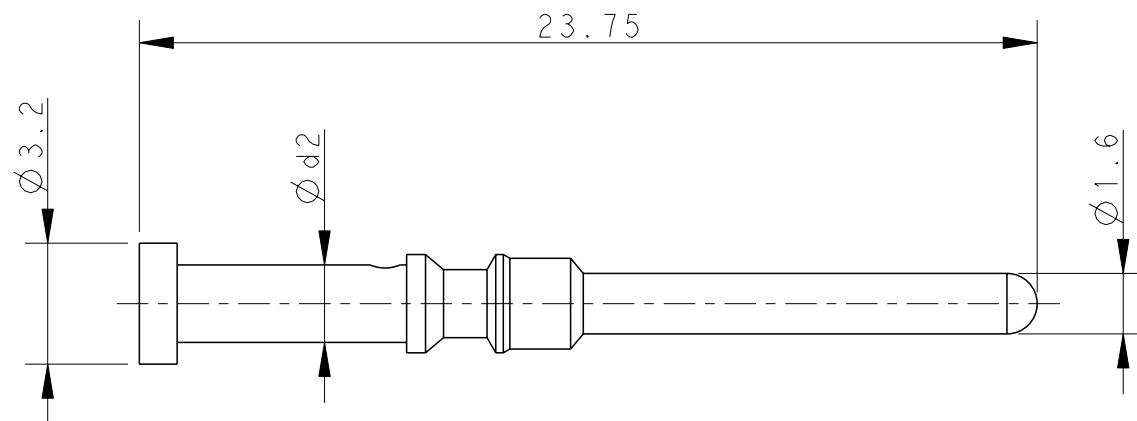
20

© COPYRIGHT 20 BY -

ALL RIGHTS RESERVED.

REVISIONS

P	LTR	DESCRIPTION	DATE	DWN	APVD
	A	INITIAL RELEASE	6JUN2021	RG	CW

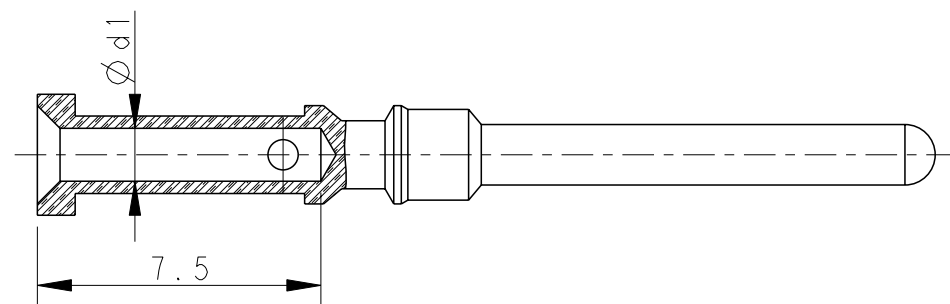


NOTES:

- 1. TECHNICAL CHARACTERISTICS:  
 PIN CONTACT MATERIAL: BRASS  
 SURFACE PLATING:  
     SILVER PLATING:  $\geq 2\mu\text{m}$   
     GOLD PLATING:  $\geq 0.75\mu\text{m}$   
 CONTACT RESISTANCE:  $\leq 5\text{ m}\Omega$   
 WIRE RANGE: 0.14-1.0 mm<sup>2</sup> (26-18 AWG)

注释:

- 1. 技术参数:  
 公针材料: 黄铜  
 表面电镀:  
     镀银:  $\geq 2\mu\text{m}$   
     镀金:  $\geq 0.75\mu\text{m}$   
 接触电阻:  $\leq 5\text{ m}\Omega$   
 接线范围: 0.14-1.0 mm<sup>2</sup> (26-18 AWG)



SECTION B-B  
SCALE 5:1

PART NUMBER		$\phi d1$	$\phi d2$	WIRE GAUGE		STRIPPING LENGTH (mm)
SILVER PLATING	GOLD PLATING			mm <sup>2</sup>	AWG	
2374197-1	2374197-5	1.45	2.60	1.0	18	0.75
2374197-2	2374197-6	1.30	2.60	0.75	18	
2374197-3	2374197-7	1.10	2.60	0.5	20	
2374197-4	2374197-8	0.9	2.55	0.14-0.37	26-22	
1-2374197-3	1-2374197-4	1.4	2.05	0.14-1.0	26-18	

THIS DRAWING IS A CONTROLLED DOCUMENT.		DWN Robert Gan 6JUN2021															
DIMENSIONS: mm		CHK Gino Yao 6JUN2021															
TOLERANCES UNLESS OTHERWISE SPECIFIED:		APVD Chris Wang 6JUN2021	NAME ECONECT No,16 MALE PIN														
<table border="0"> <tr><td>0 PLC</td><td>±-</td></tr> <tr><td>1 PLC</td><td>±-</td></tr> <tr><td>2 PLC</td><td>±-</td></tr> <tr><td>3 PLC</td><td>±-</td></tr> <tr><td>4 PLC</td><td>±-</td></tr> <tr><td>ANGLES</td><td>±-</td></tr> </table>		0 PLC	±-	1 PLC	±-	2 PLC	±-	3 PLC	±-	4 PLC	±-	ANGLES	±-	PRODUCT SPEC 108-137506	RESTRICTED TO		
0 PLC	±-																
1 PLC	±-																
2 PLC	±-																
3 PLC	±-																
4 PLC	±-																
ANGLES	±-																
MATERIAL		APPLICATION SPEC 114-137506	SIZE A3	CAGE CODE 00779	DRAWING NO C-2374197												
FINISH		WEIGHT	SCALE 5:1														
		CUSTOMER DRAWING	SHEET 1 OF 1														
			REV A														

printed on 9 Jul 2021 13:23 (China Standard Time) from FG086366