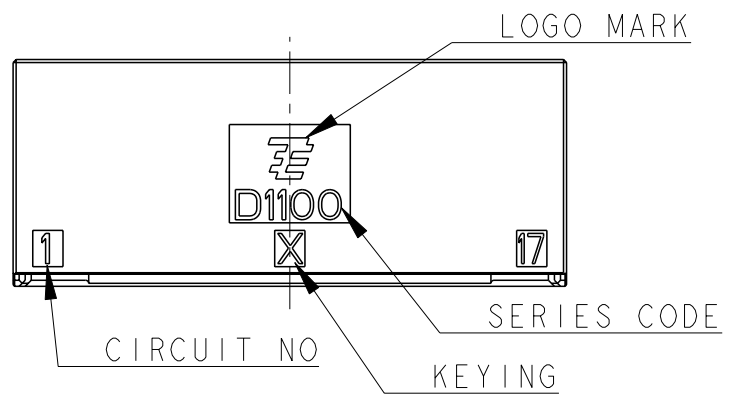
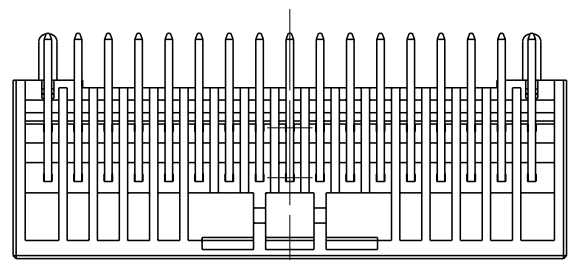
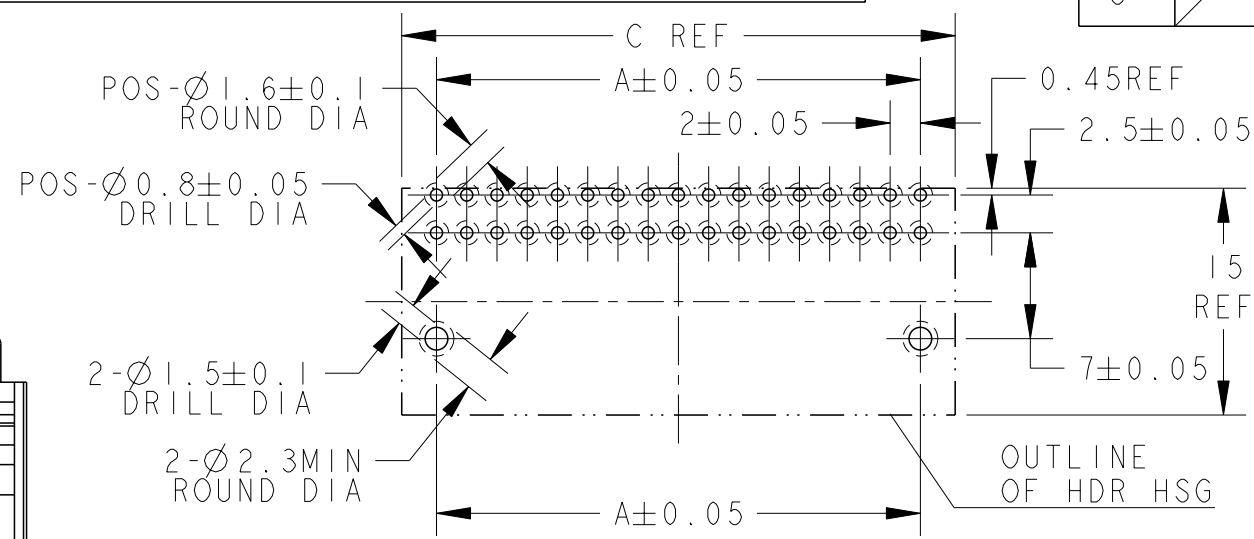


THIS DRAWING IS UNPUBLISHED. RELEASED FOR PUBLICATION 2007
 © COPYRIGHT 2007 BY - ALL RIGHTS RESERVED.

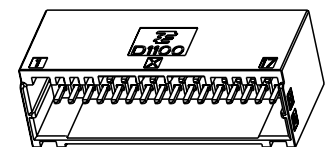
LOC J DIST

REVISIONS

| P | LTR | DESCRIPTION | DATE | DWN | APVD |
|----|-----|---------------------------|-----------|------|------|
| C1 | | REVISED PER ECR-12-020340 | 05DEC2012 | E.C | H.M |
| C2 | | REVISED PER ECR-17-005500 | 4MAY2017 | N.W. | X.X |



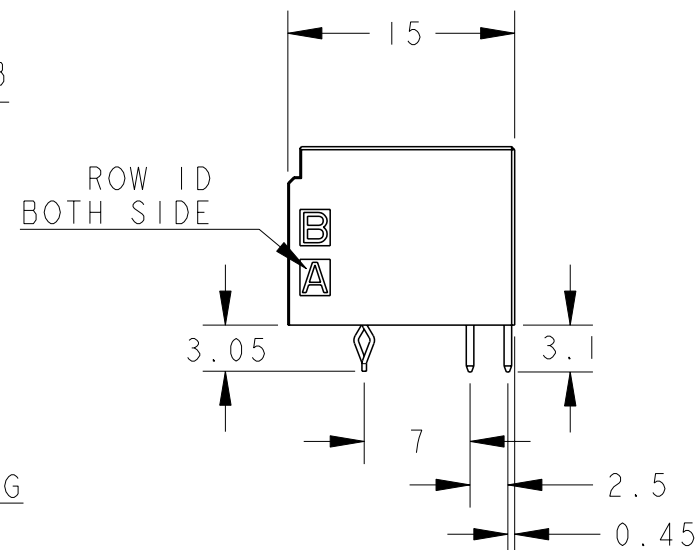
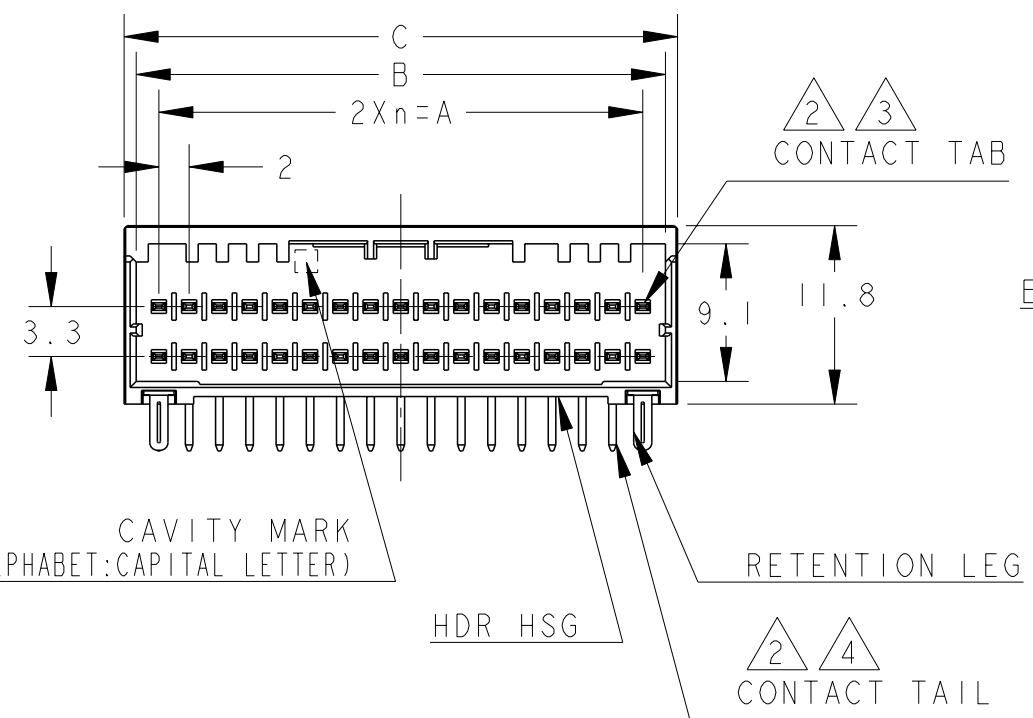
推奨基板取付寸法 : コネクタ搭載面 (非累積公差)
 PC基板厚 : 1.0~1.6±0.1
 RECOMMEND PC BOARD HOLE PATTERN : CONNECTOR MOUNT SIDE (NOT ACCUMULATE TOLERANCE)
 PC BOARD THICKNESS : 1.0~1.6±0.1



SCALE 1:1

- ①. 材料:ハウジング:ガラス入り熱可塑性ポリエステル樹脂(94V-0)、色:黒
 コンタクト:銅合金
 リテンションレグ:錫めっき済銅合金
- ②. めっき(全面):ニッケル下地めっき1.27μm以上
- ③. めっき(接触部):②の上に金めっき0.38μm以上、またはsn1.0μm MINめっき後
- ④. めっき(コンタクト半田付部):②の上に錫めっき2μm以上
- 5. 文字の形状、大きさ、および位置については、大略を示すものであり、詳細を示すものではありません。

- ①. MATERIAL:HOUSING:GLASS FILED THERMO PLASTIC POLYESTER(94V-0), COLOR:BLACK
 CONTACT:COPPER ALLOY
 RETENTION LEG:PRE-TIN COPPER ALLOY
- ②. FINISH(ALL OVER):NICKEL PLATING 1.27μmMIN
- ③. FINISH(CONTACT AREA):GOLD PLATING 0.38μmMIN OR Sn PLATING 1.0μmMIN AFTER ②
- ④. FINISH(CONTACT TAIL):TIN PLATING 2μmMIN AFTER ②
- 5. THE SHAPE, SIZE AND POSITION OF THE CHARACTER SHOW THE OUTLINE. THEY DON'T SHOW DETAILS.



| 40 | X | 19 | 38.0 | 41.0 | 42.6 | Sn PLATED | 3-1939638-0 |
|-----|-----|----|------|------|------|-------------|-------------|
| 40 | X | 19 | 38.0 | 41.0 | 42.6 | GOLD PLATED | 1-1939638-0 |
| 34 | X | 16 | 32.0 | 35.0 | 36.6 | Sn PLATED | 3-1939638-7 |
| 34 | X | 16 | 32.0 | 35.0 | 36.6 | GOLD PLATED | 1-1939638-7 |
| 30 | X | 14 | 28.0 | 31.0 | 32.6 | Sn PLATED | 3-1939638-5 |
| 30 | X | 14 | 28.0 | 31.0 | 32.6 | GOLD PLATED | 1-1939638-5 |
| 28 | X | 13 | 26.0 | 29.0 | 30.6 | Sn PLATED | 3-1939638-4 |
| 28 | X | 13 | 26.0 | 29.0 | 30.6 | GOLD PLATED | 1-1939638-4 |
| 26 | X | 12 | 24.0 | 27.0 | 28.6 | Sn PLATED | 3-1939638-3 |
| 26 | X | 12 | 24.0 | 27.0 | 28.6 | GOLD PLATED | 1-1939638-3 |
| POS | KEY | n | A | B | C | FINISHED | PART NO |

34POS(X-KEY):1-1939638-7

THIS DRAWING IS A CONTROLLED DOCUMENT.

DWN M. MAEBASHI 30 JUL 2007
 CHK T. KUDO 30 JUL 2007
 APVD D. MITSUGI 30 JUL 2007

TE Connectivity

NAME DYNAMIC D1100D 2.0mmPITCH HDR ASSY, H-TYPE 22-40POS

PRODUCT SPEC 108-78268/78298
 APPLICATION SPEC 114-5377
 WEIGHT

SIZE A3 CAGE CODE 00779 DRAWING NO C-1939638 RESTRICTED TO -

Customer Drawing SCALE 2:1 SHEET 1 OF 2 REV C2

THIS DRAWING IS UNPUBLISHED.

RELEASED FOR PUBLICATION

2007

© COPYRIGHT 2007 BY -

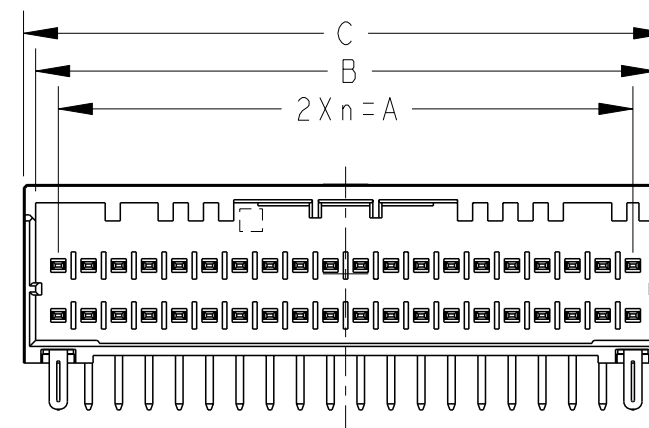
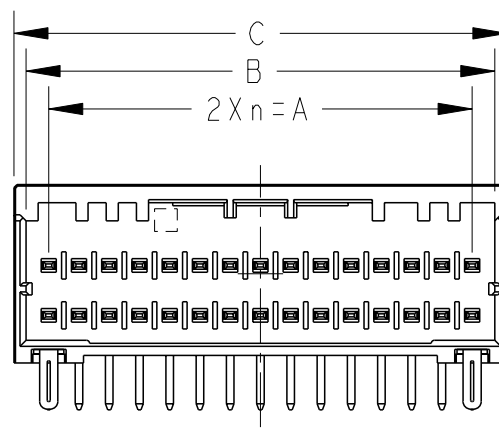
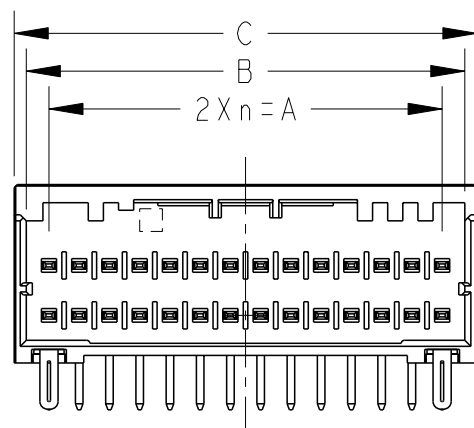
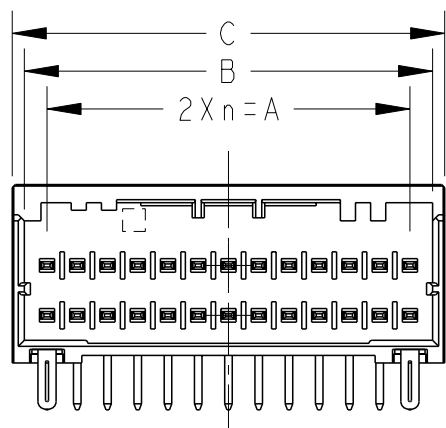
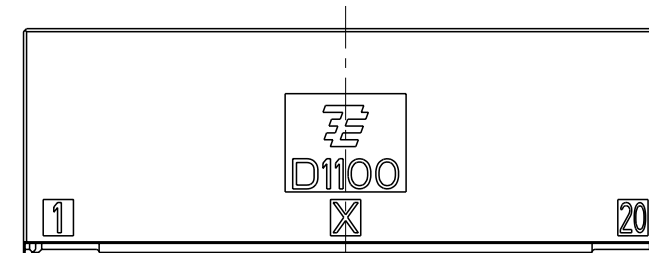
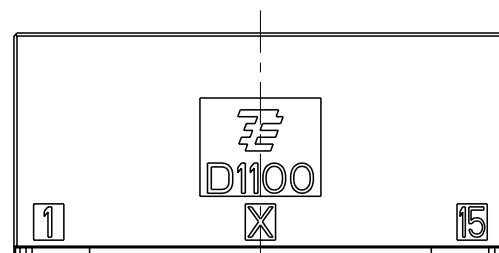
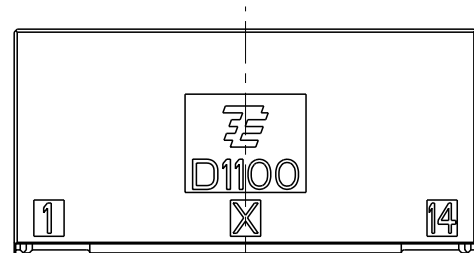
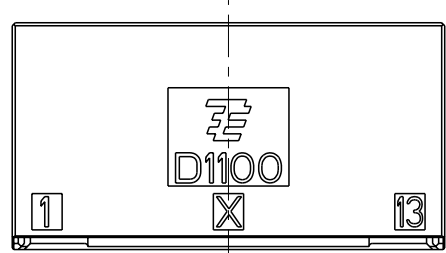
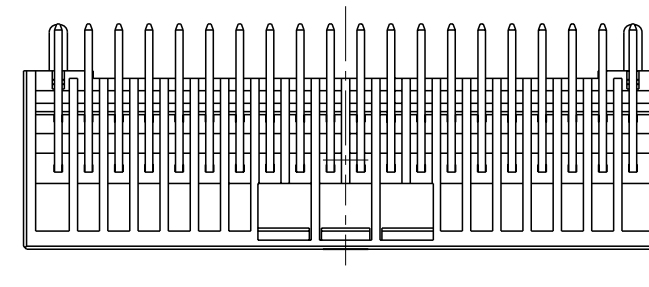
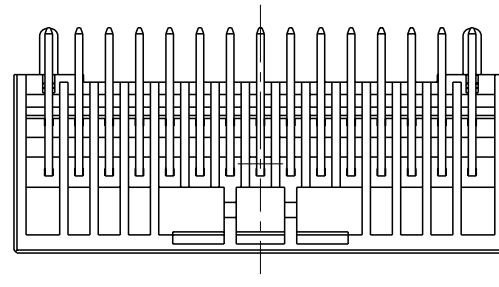
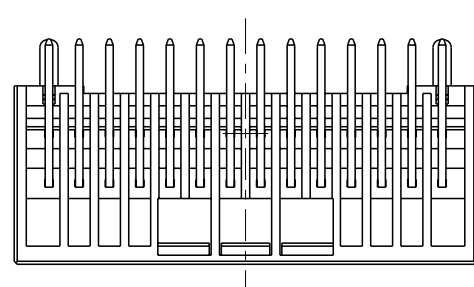
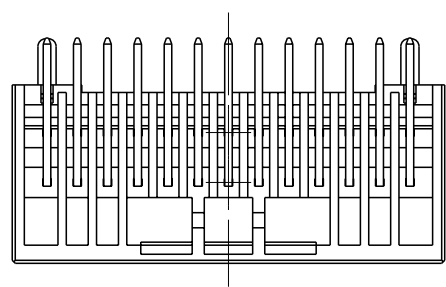
ALL RIGHTS RESERVED.

LOC
J

DIST

REVISIONS

| P | LTR | DESCRIPTION | DATE | DWN | APVD |
|---|-----|------------------|------|-----|------|
| | | SEE SHEET 1 OF 2 | | | |



26POS(X-KEY): 1-1939638-3

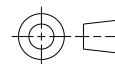
28POS(X-KEY): 1-1939638-4

30POS(X-KEY): 1-1939638-5

40POS(X-KEY): 1-1939638-0

THIS DRAWING IS A CONTROLLED DOCUMENT.

DIMENSIONS:
mm



TOLERANCES UNLESS OTHERWISE SPECIFIED:

| | |
|--------|---------|
| 0 PLC | ± |
| 1 PLC | ±0.5 |
| 2 PLC | ±0.13 |
| 3 PLC | ±0.013 |
| 4 PLC | ±0.0001 |
| ANGLES | ± |

MATERIAL

FINISH

DWN 30JUL2007

M. MAEBASHI

CHK 30JUL2007

T. KUDO

APVD 30JUL2007

D. MITSUGI

PRODUCT SPEC

108-78268/78298

APPLICATION SPEC

114-5377

WEIGHT

-

Customer Drawing



TE Connectivity

NAME
DYNAMIC D1100D 2.0mmPITCH
HDR ASSY, H-TYPE
22-40POS

| | | | |
|------|-----------|------------|---------------|
| SIZE | CAGE CODE | DRAWING NO | RESTRICTED TO |
|------|-----------|------------|---------------|

| | | | |
|----|-------|-----------|---|
| A3 | 00779 | C-1939638 | - |
|----|-------|-----------|---|

SCALE 2:1

SHEET 2 OF 2

REV C2