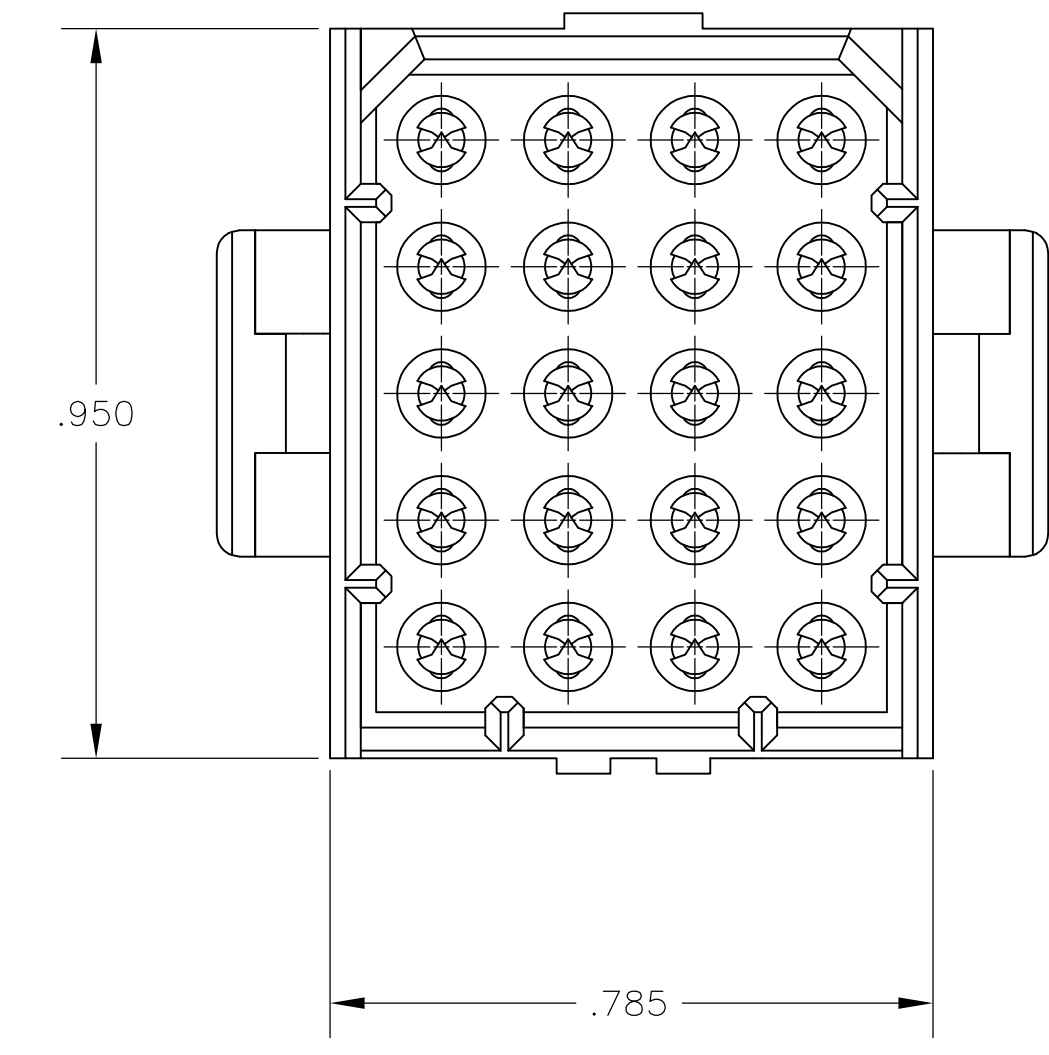
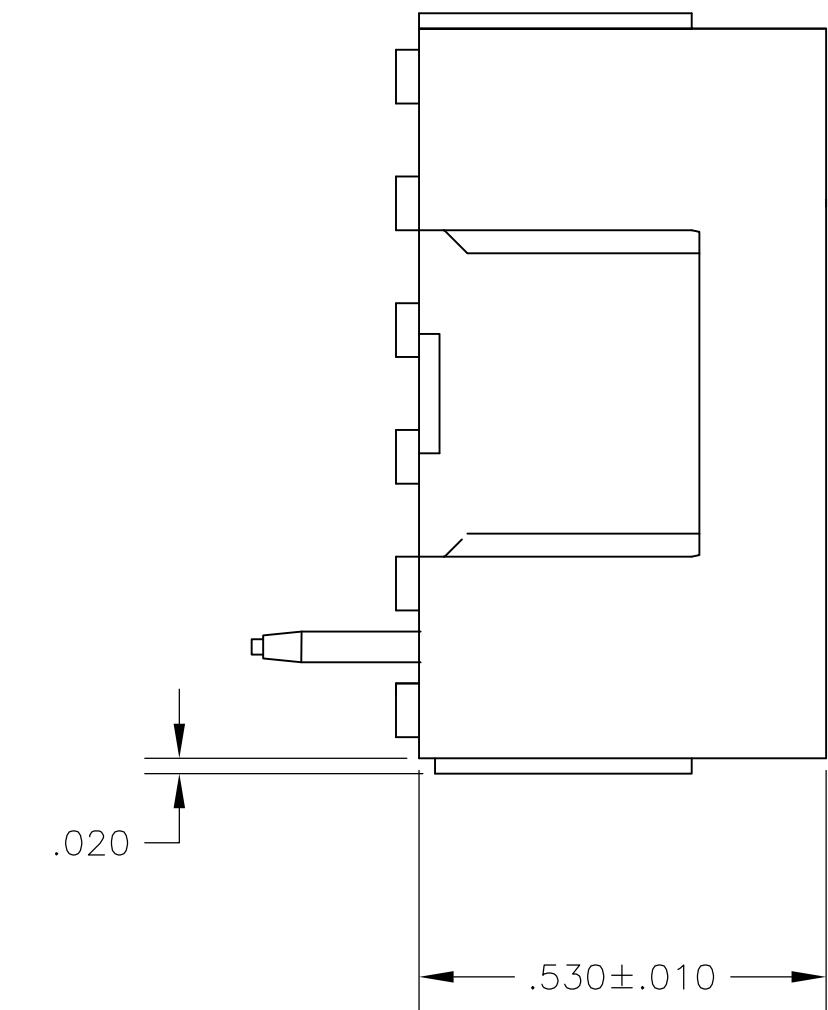
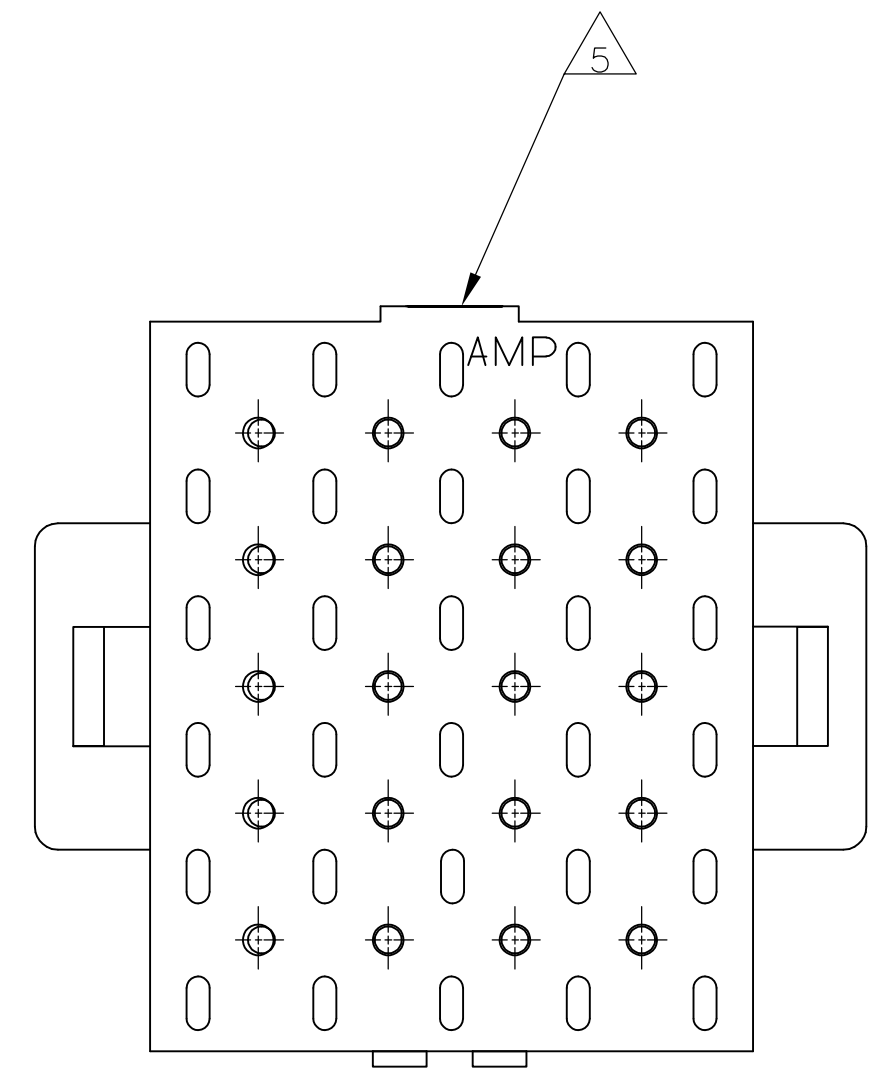
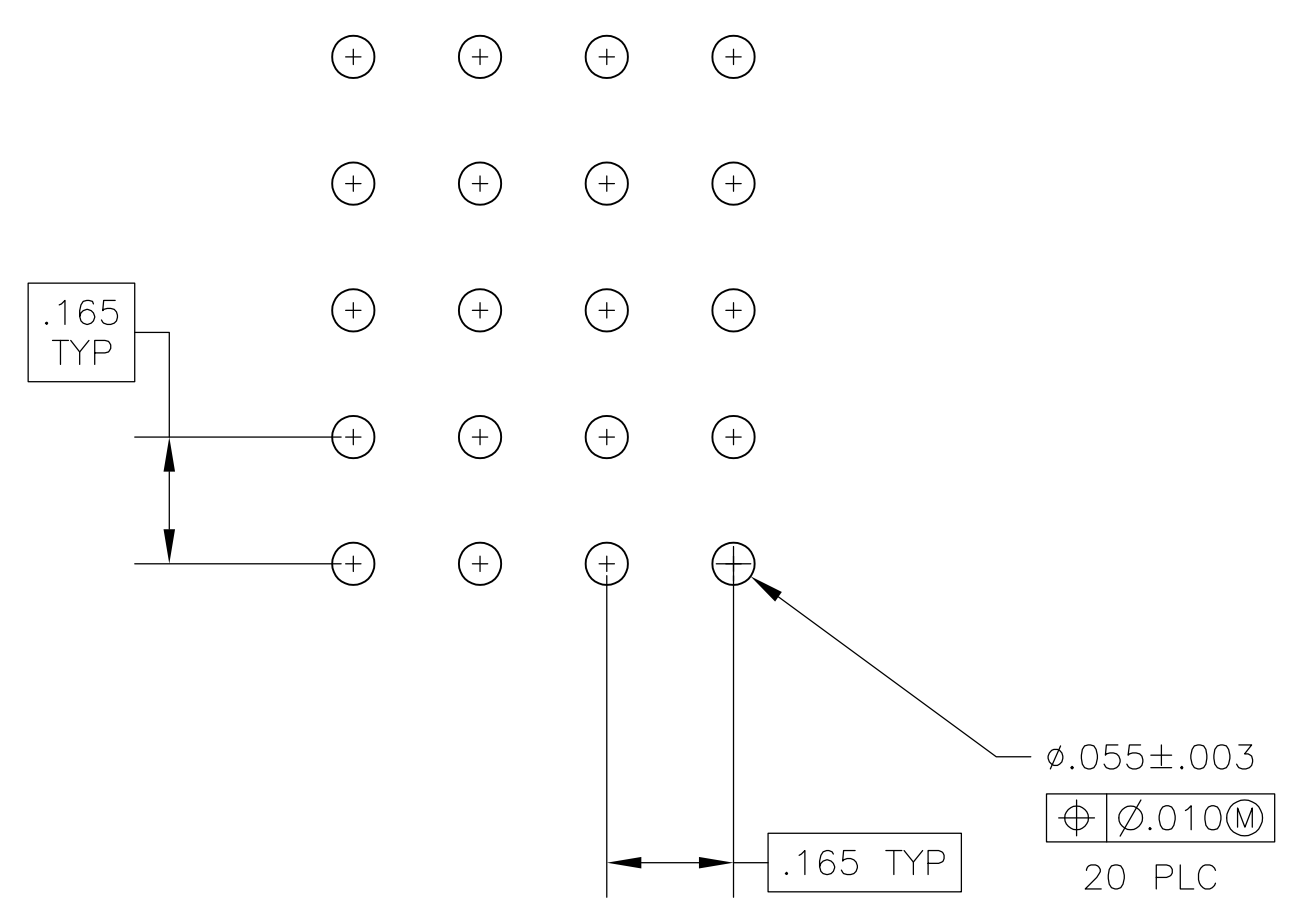


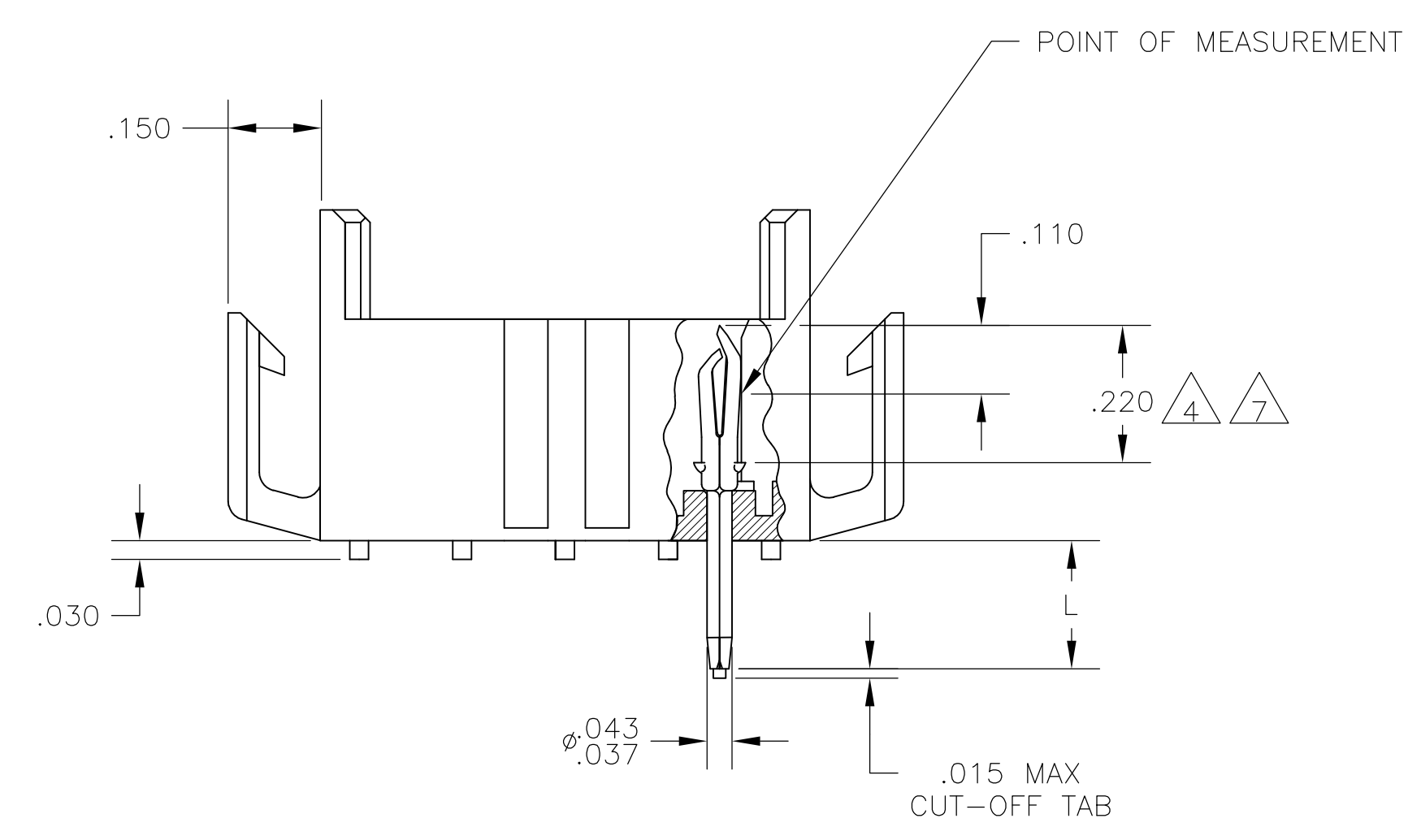
REVISIONS					
P	LTR	DESCRIPTION	DATE	DN	APVD
R1		REVISED PER ECO-16-001847	19JUL2016	NK	MZ



- 1 FITS SOCKET HOUSING 640524.
- 2 ASSEMBLY CONFORMS TO AMP SOLDERABILITY SPEC. 109-11-3.
- 3 FOR USE WITH .063 THICK P.C. BOARD.
- 4 CONTACT IS PLATED OVERALL WITH .000050 NICKEL, THEN .000030 GLD OVER CONTACT LENGTH INDICATED AND .000150 MATTE TIN-LEAD ON SOLDER TAIL END.
- 5 UL AND CSA LOGO LOCATED ON THIS SURFACE.
- 6 FOR USE WITH .120 THICK P.C. BOARD.
- 7 CONTACT IS PLATED OVERALL WITH .000050 NICKEL, THEN .000030 GLD OVER CONTACT LENGTH INDICATED AND .000150 MATTE TIN ON SOLDER TAIL END.



RECOMMENDED P.C. BOARD LAYOUT



	.010	0.25	.055	1.40	.220	5.59	-	-
.008	0.20	.043	1.09	.210	5.33	-	-	-
.005	0.13	.037	0.94	.165	4.19	-	-	-
.003	0.08	.030	0.76	.150	3.81	.950	24.13	-
.000050	0.00127	.020	0.51	.110	2.79	.785	19.94	-
.000030	0.00076	.015	0.38	.063	1.60	.530	13.46	-
IN	MM	IN	MM	IN	MM	IN	MM	

CONVERSION TABLE

.210	6	BRICK RED	GOLD	7	2-640504-4	
.150	3	BRICK RED	GOLD	7	2-640504-2	
.210	6	BRICK RED	GOLD	4	640504-4	
.210	6	BRICK RED	PRE-TIN		640504-3	
OBSOLETE	.150	3	BRICK RED	GOLD	4	640504-2
	.150	3	BRICK RED	PRE-TIN	640504-1	
"L"	+0.10 -0.20	HOUSING COLOR	PIN FINISH		PART NUMBER	

THIS DRAWING IS A CONTROLLED DOCUMENT.

DIMENSIONS: INCHES	TOLERANCES UNLESS OTHERWISE SPECIFIED:	DIN J. HUFFMAN 28APR98	 TE Connectivity
	0 PLC ± - 1 PLC ± - 2 PLC ± - 3 PLC ± .005 4 PLC ± - ANGLES ± 0° 30'	CIK R. SWING 28APR98 APVD T. REDDICK 28APR98 PRODUCT SPEC APPLICATION SPEC	
MATERIAL: HOUSING-FLAME RETARDANT NYLON, UL 94V-0 PIN, .008 PH BRZ.	FINISH: SEE TABLE	NAME: HEADER ASSEMBLY, PIN, 20 POSITION, MR. SIZE: A1 CAGE CODE: 00779 DRAWING NO: 640504 WEIGHT: - CUSTOMER DRAWING	RESTRICTED TO: - SCALE: 4:1 SHEET: 1 OF 1 REV: R1