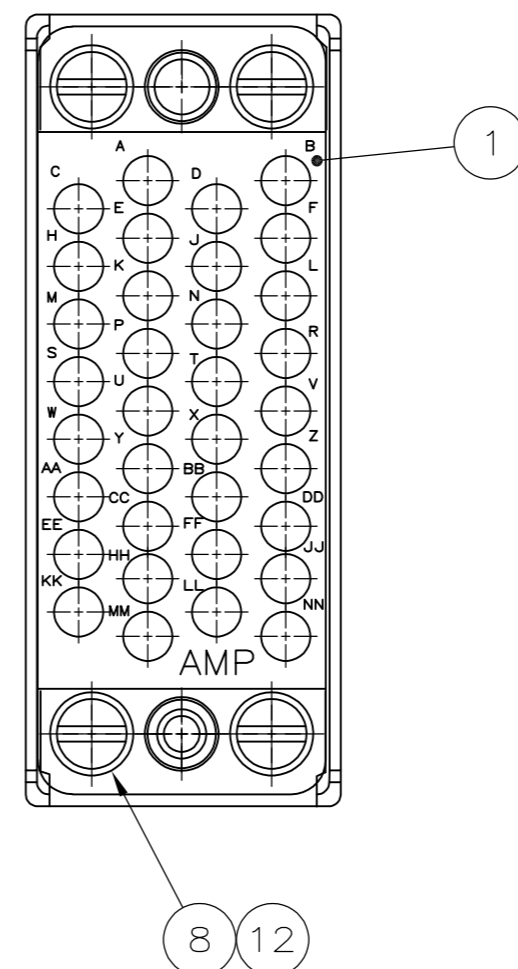
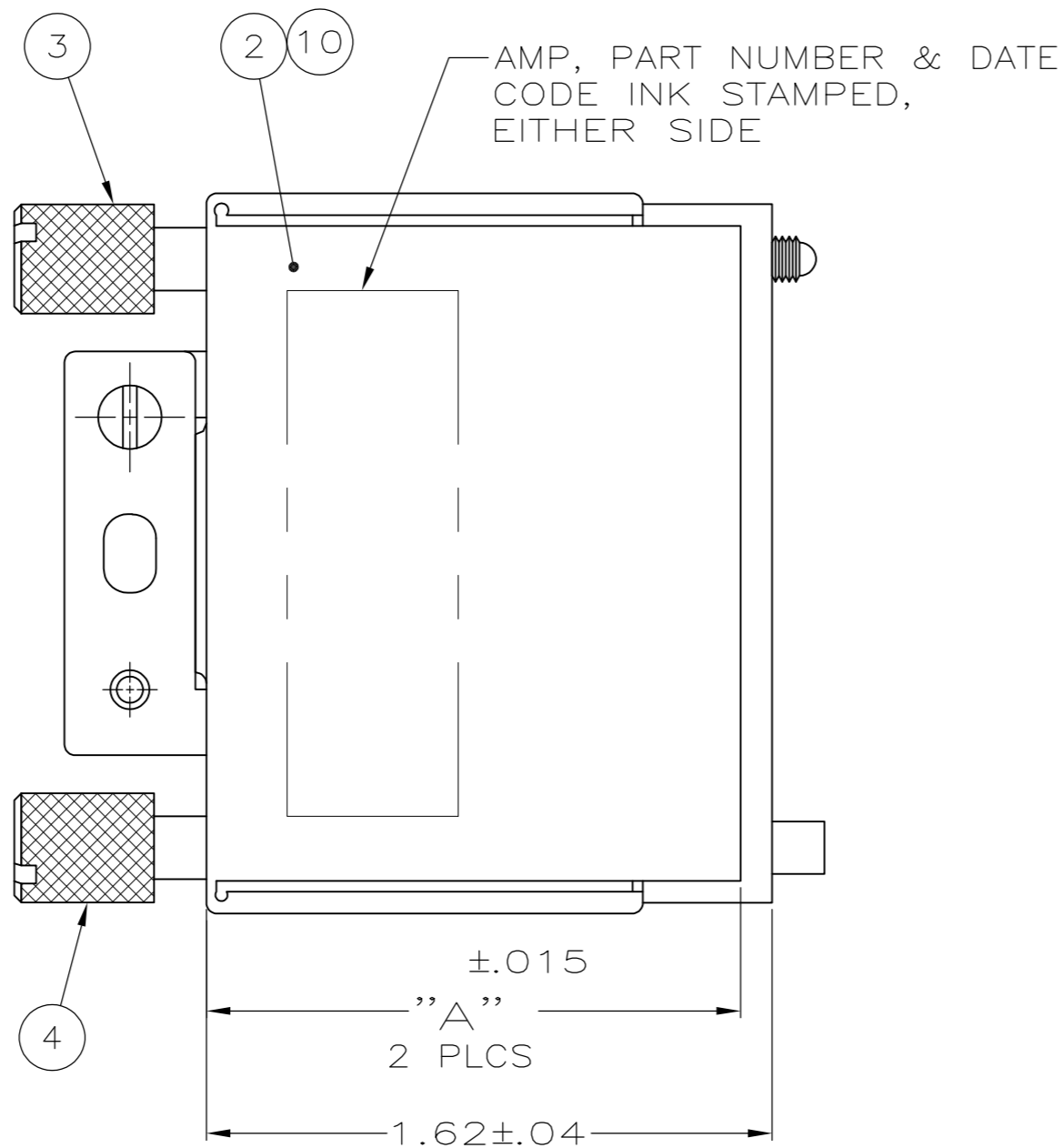
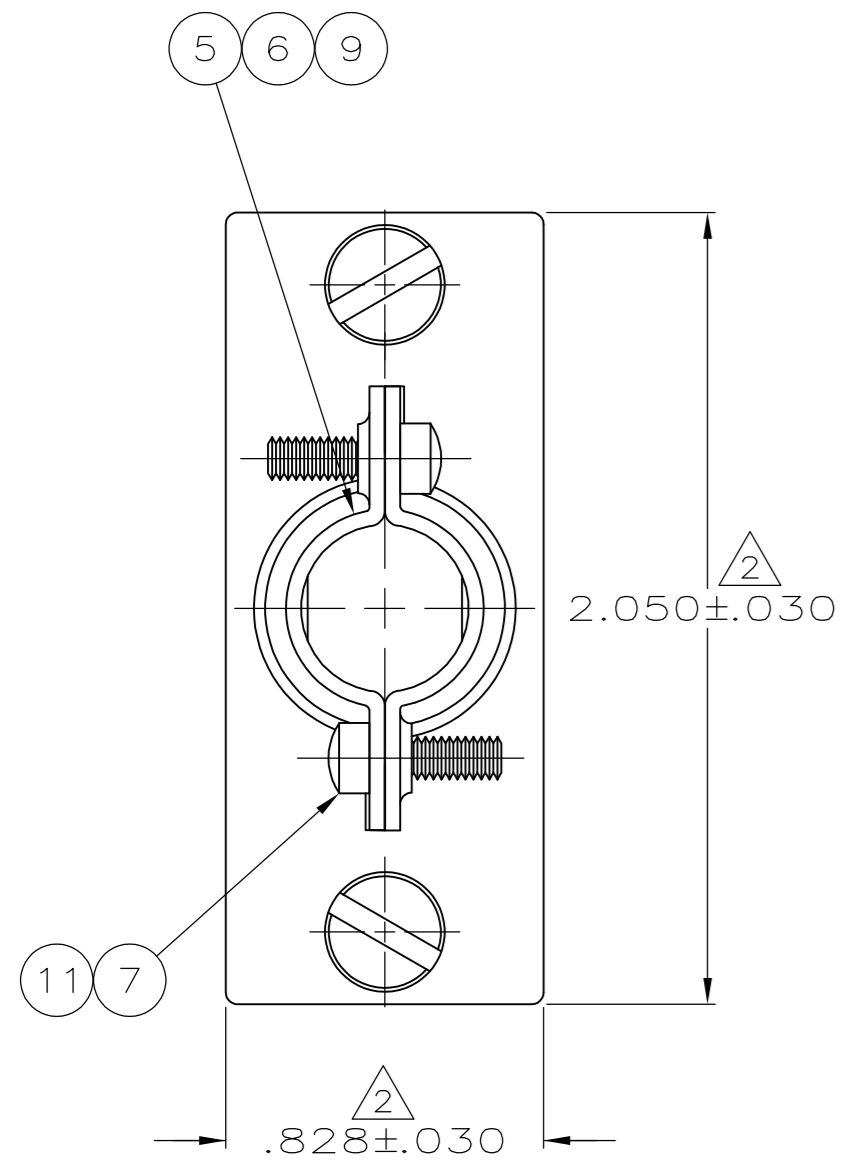


THIS DRAWING IS UNPUBLISHED. RELEASED FOR PUBLICATION
 © COPYRIGHT - By - ALL RIGHTS RESERVED.

REVISIONS					
P	LTR	DESCRIPTION	DATE	DWN	APVD
	F5	REVISED PER ECO-16-004000	28SEP2016	NK	MZ
	G	REVISED PER ECR-17-002064	28FEB2017	RS	MZ

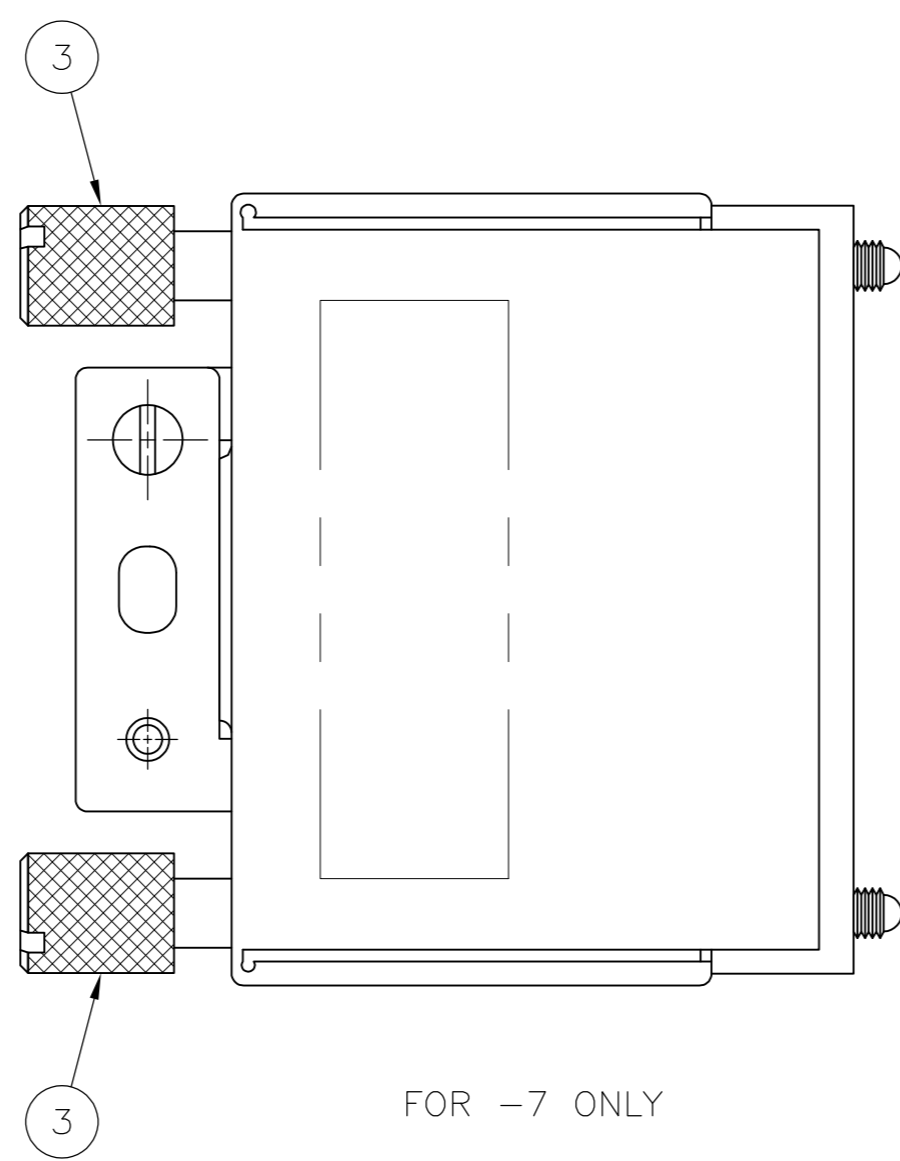
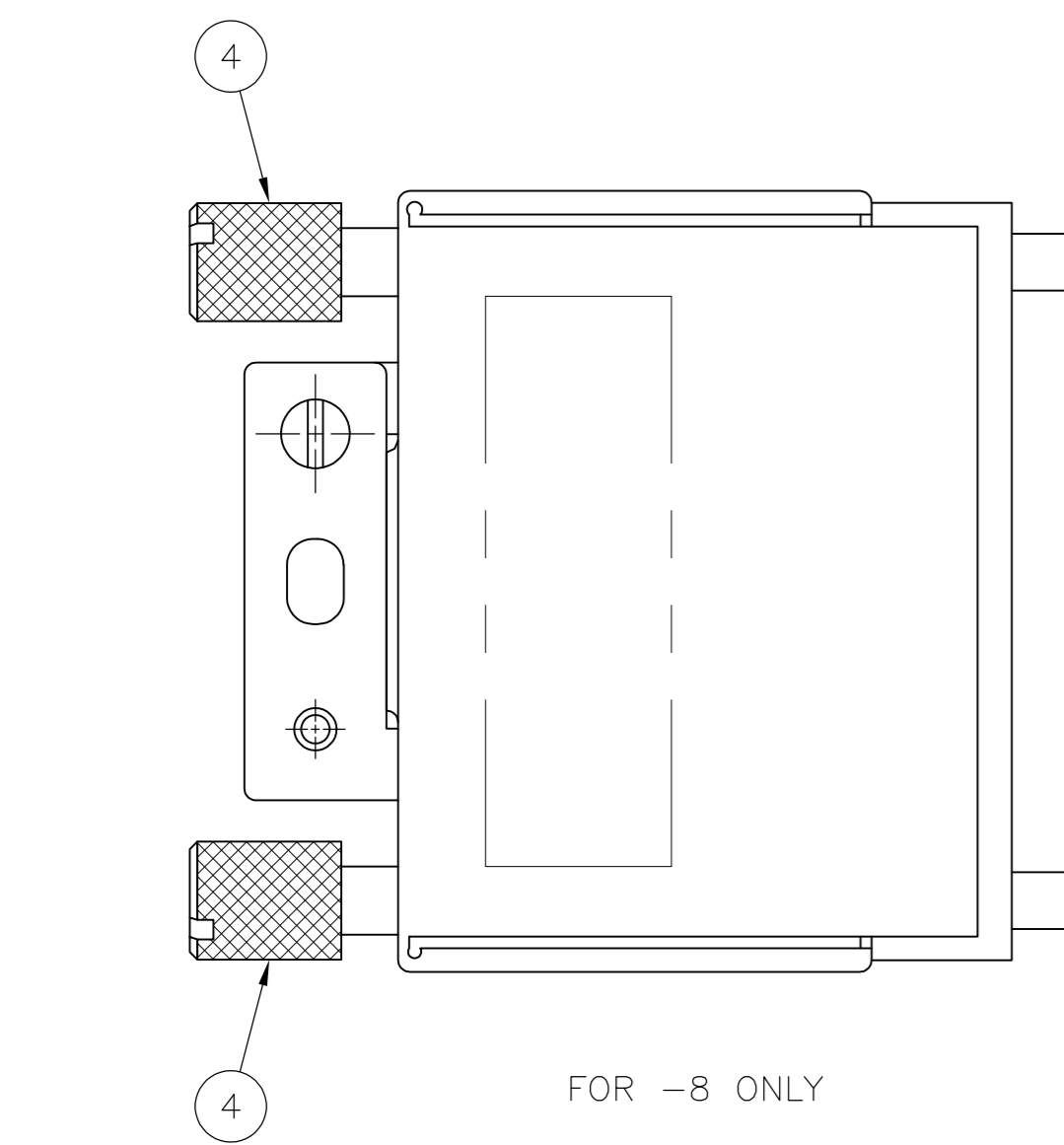


- 1 PARTIALLY ASSEMBLED.
- 2 DIMENSION APPLIES AT BASE OF BEND.
- 3 ALL ITEMS BULK PACKAGED SEPARATELY WITHOUT INK MARKING.
- 4 PRELIMINARY PART NO.
- 5 FINISH: ZINC PLATE WITH HEXAVALENT CHROMATE.
- 6 FINISH: ZINC PLATE WITH NON-HEXAVALENT CHROMATE.
- 7 OBSOLETE PARTS: OBSOLETE CIS STREAMLINING PER D.RENAUD/D.SINISI

OBSOLETE	DIM A	CABLE AREA SQUARE INCHES	PART NUMBER
OBSOLETE	1.530	.1491-.2336	213522-8
OBSOLETE	1.530	.1491-.2336	213522-7
OBSOLETE	1.530	.1491-.2336	213522-6
OBSOLETE	1.225	.1491-.2336	213522-5
OBSOLETE	1.530	.0314-.0707	213522-4
OBSOLETE	1.530	.1491-.2336	213522-3
	1.530	.1176-.1643	213522-2
	1.530	.1491-.2336	213522-1

OBSOLETE	OBSOLETE	OBSOLETE	OBSOLETE	OBSOLETE	OBSOLETE
1	-	-	-	-	-
6	-	4	-	-	-
6	-	2	-	-	-
	-	1	1	-	-
	-	-	-	2	-
5	4	4	-	4	4
5	2	2	-	2	2
	-	-	-	-	2
	2	2	2	-	2
	2	-	1	1	1
	-	2	1	1	1
	1	1	-	1	1
	-	1	1	1	1
-8	-7	-6	-5	-4	-3

QTY	DESCRIPTION	MATERIAL	ITEM NO.
1	RECEPTACLE HOUSING, MOD 2 FEMALE JACKSCREW	PHENOLIC, BLACK	13
1	SCREW, #4-40, .250 LONG	STEEL, PLATED ZINC	12
1	SCREW, #4-40, .375 LONG	STEEL, PLATED ZINC	11
1	SHIELD, SHORT/SHORT	ALUMINUM, ANODIZED	10
1	CABLE CLAMP	STEEL, PLATED ZINC	9
4	SCREW, #4-40, .250 LONG	STEEL, PLATED ZINC	8
2	SCREW, #4-40, .375 LONG	STEEL, PLATED ZINC	7
1	CABLE CLAMP	STEEL, PLATED ZINC	6
2	CABLE CLAMP	STEEL, PLATED ZINC	5
2	JACKSCREW, FEMALE	STAINLESS STEEL	4
1	JACKSCREW, MALE	STAINLESS STEEL	3
1	SHIELD, SHORT	ALUMINUM, ANODIZED	2
1	RECEPTACLE HOUSING, MOD	PHENOLIC, BLACK	1



THIS DRAWING IS A CONTROLLED DOCUMENT.

DWN: D.ERDMAN 4-6-88
 CHK: R.STONE 4-6-88

TE Connectivity

KIT ASSEMBLY, RECEPTACLE, 34 POSITION, M SERIES

SIZE: A2 CAGE CODE: 00779 DRAWING NO: 213522

SCALE: 2:1 SHEET: 1 of 1