

4

3

2

1

THIS DRAWING IS UNPUBLISHED.

RELEASED FOR PUBLICATION

20

© COPYRIGHT 20

BY -

ALL RIGHTS RESERVED.

REVISIONS

P	LTR	DESCRIPTION	DATE	DWN	APVD
	A	INITIAL RELEASE	09APR2015	GY	CW
	B	ECR-15-013759	12OCT2015	DW	CW
	B1	ECR-16-009892	14JUL2016	RL	CW
	B2	ECR-16-018198	13JAN2017	QY	CW

TYPE-1:T2040104101-000 TE LOGO  
 类型-1:T2040104101-000 TE LOGO

NOTES:

1. TECHNICAL CHARACTERISTICS:  
 INSULATION MATERIAL: PC  
 RATED VOLTAGE: 500V  
 RATED CURRENT: 16A  
 INSULATION RESISTANCE:  $\geq 400M\Omega$   
 RATED IMPULSE VOLTAGE: 6KV  
 POLLUTION DEGREE: 3  
 FLAMMABILITY: UL94V-0  
 MATING CYCLES: 500 CYCLES  
 WIRE RANGE:  $0.14mm^2 \sim 4mm^2$  (AWG26-AWG12)  
 CONTACT TYPE: CRIMP CONTACT

2. CONTACTS NEED TO BE ORDERED SEPARATELY.  
 (ORDER No. REFER TO DRAWING:T20300X10XX000)

M4 SCREW, RECOMMENDED  
 TIGHTENING TORQUE 1.2Nm  
 M4螺丝, 推荐扭力矩为1.2Nm

4X M3 SCREW RECOMMENDED  
 TIGHTENING TORQUE 0.5Nm  
 4 X M3螺丝, 推荐扭力矩为 0.5Nm

注释:

1. 技术参数:  
 绝缘材料: PC  
 额定电压: 500V  
 额定电流: 16A  
 绝缘电阻:  $\geq 400M\Omega$   
 脉冲电压: 6KV  
 污染等级: 3  
 阻燃等级: UL94V-0  
 插拔次数: 500次  
 接线范围:  $0.14mm^2 \sim 4mm^2$  (AWG26-AWG12)  
 接线类型: 冷压接

2. 端子需要单独订购.  
 (订货号参考图面: T20300X10XX000)

PANEL CUT OUT FOR INSERTS FOR  
 USE WITHOUT HOODS/HOUSING  
 不使用防护外壳时芯件的安装开孔图

THIS DRAWING IS A CONTROLLED DOCUMENT.

DWN 09APR2015

Gino.Yao

CHK 09APR2015

Chris.Wang

APVD 09APR2015

Xiang.Xu

PRODUCT SPEC

108-137044

APPLICATION SPEC

114-137044

WEIGHT

-

Customer Drawing

TE Connectivity

NAME

HE-010-MC

SIZE

A3

CAGE CODE

00779

DRAWING NO

C-T2040104101000

RESTRICTED TO

-

SCALE

1:1

SHEET

1

OF

2

REV

B2

1470-19 (3/13)

THIS DRAWING IS UNPUBLISHED.

RELEASED FOR PUBLICATION

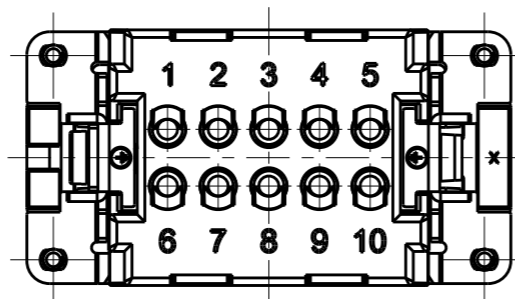
20

© COPYRIGHT 20 BY -

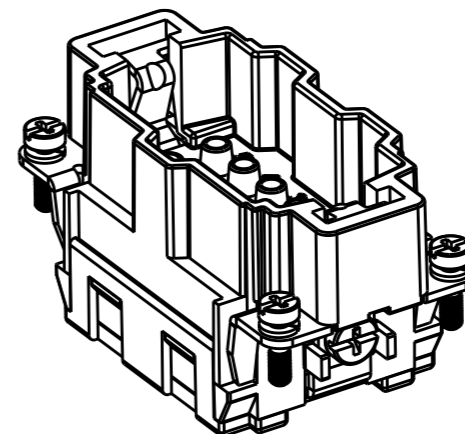
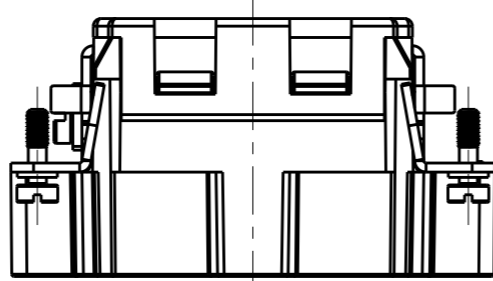
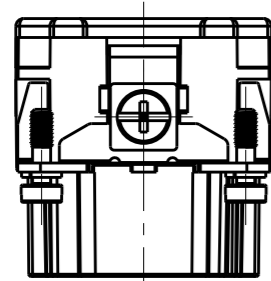
ALL RIGHTS RESERVED.

REVISIONS

P	LTR	DESCRIPTION	DATE	DWN	APVD
-	-	SEE SHEET 1	-	-	-

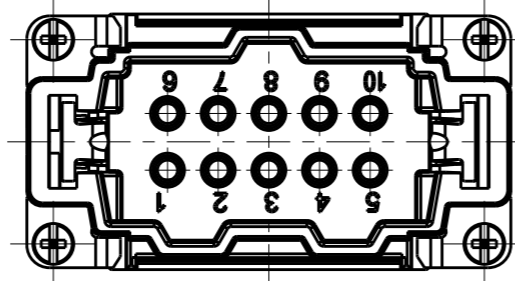


NOTES:  
SEE SHEET 1  
注释:  
见页 1



ALL DIMENSIONS ARE SAME AS TYPE 1,  
EXCEPT THOSE DEFINED IN THIS TYPE.  
除了在本类型中定义的尺寸外, 其它尺寸同类型 1

TYPE-2: T2040104101-001 STAINLESS STEEL SCREW, NO LOGO  
类型-2: T2040104101-001 不锈钢螺丝, 无LOGO



T2040104101-001	HE-010-MC	HE-010 MALE INSERT, CRIMPING, STAINLESS STEEL SCREW, NO LOGO HE-010公插, 冷压, 不锈钢螺丝, 无LOGO	TYPE-2 类型-2
T2040104101-000	HE-010-MC	HE-010 MALE INSERT, CRIMPING HE-010公插, 冷压	TYPE-1 类型-1
PART NUMBER 料号	PART DESCRIPTION 描述		TYPE 类型

THIS DRAWING IS A CONTROLLED DOCUMENT.		DWN Gino.Yao 09APR2015							
DIMENSIONS: mm		CHK Chris.Wang 09APR2015			NAME HE-010-MC				
TOLERANCES UNLESS OTHERWISE SPECIFIED:		APVD Xiang.Xu 09APR2015			PRODUCT SPEC 108-137044				
0 PLC ±- 1 PLC ±- 2 PLC ±- 3 PLC ±- 4 PLC ±- ANGLES ±-		APPLICATION SPEC 114-137044			RESTRICTED TO -				
MATERIAL -	FINISH -	WEIGHT -	SIZE A3	CAGE CODE 00779	DRAWING NO T2040104101000	SCALE 1:1	SHEET 2	OF 2	REV B2
Customer Drawing									