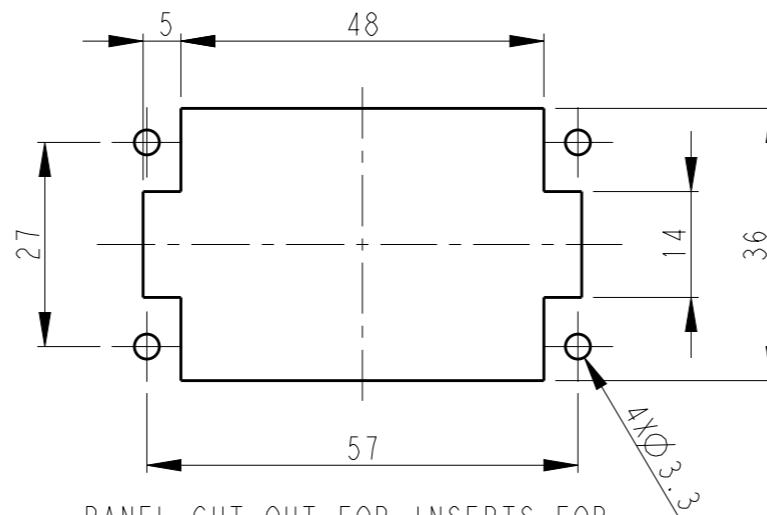
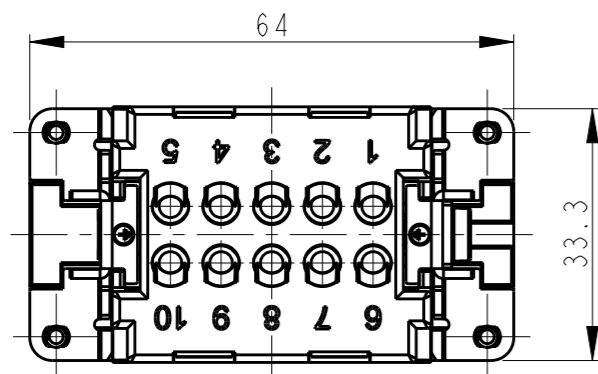


THIS DRAWING IS UNPUBLISHED. RELEASED FOR PUBLICATION 20
 © COPYRIGHT 20 BY - ALL RIGHTS RESERVED.

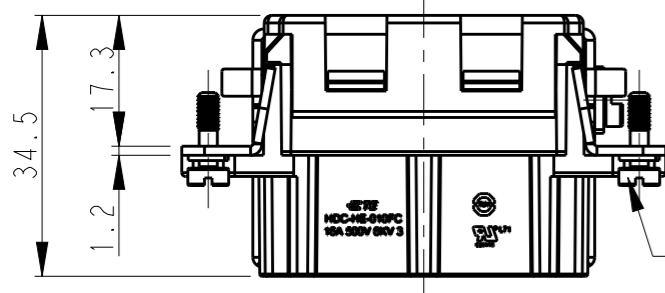
REVISIONS

P	LTR	DESCRIPTION	DATE	DWN	APVD
A		INITIAL RELEASE	13APR2015	GY	CW
B		ECR-15-013759	12OCT2015	DW	CW
B1		ECR-16-009892	13JUL2016	RL	CW
B2		ECR-16-018198	13JAN2017	QY	CW

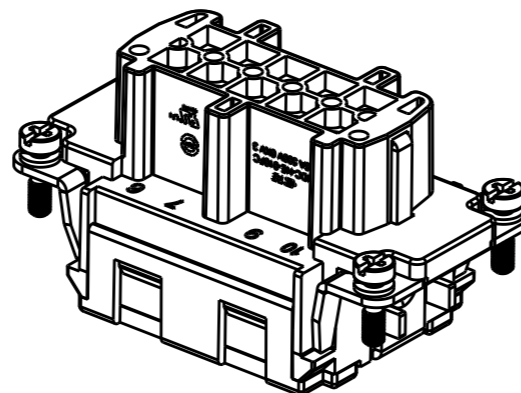
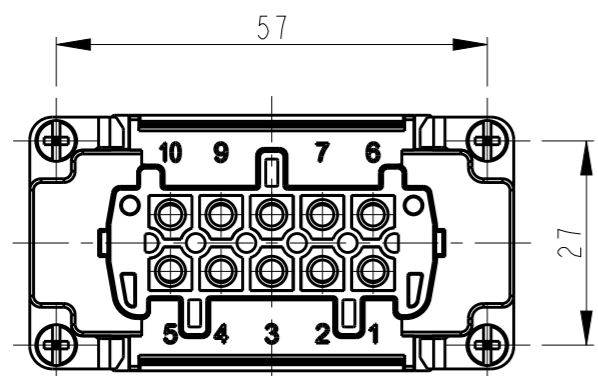
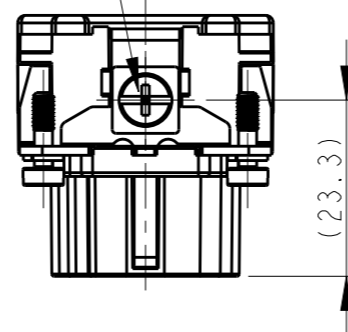


PANEL CUT OUT FOR INSERTS FOR USE WITHOUT HOODS/HOUSING
 不使用防护外壳时零件的安装开孔图

M4 SCREW, RECOMMENDED TIGHTENING TORQUE 1.2Nm
 M4螺丝, 推荐扭力矩为 1.2Nm



4X M3 SCREW RECOMMENDED TIGHTENING TORQUE 0.5Nm
 4 X M3螺丝, 推荐扭力矩为 0.5Nm



NOTES:

- TECHNICAL CHARACTERISTICS:
 INSULATION MATERIAL: PC
 RATED VOLTAGE: 500V
 RATED CURRENT: 16A
 INSULATION RESISTANCE: $\geq 400M\Omega$
 RATED IMPULSE VOLTAGE: 6KV
 POLLUTION DEGREE: 3
 FLAMMABILITY: UL94V-0
 MATING CYCLES: 500 CYCLES
 WIRE RANGE: $0.14mm^2 \sim 4mm^2$ (AWG26-AWG12)
 CONTACT TYPE: CRIMP CONTACT
- CONTACTS NEED TO BE ORDERED SEPARATELY.
 (ORDER No. REFER TO DRAWING: T20300X20XX000)

注释:

- 技术参数:
 绝缘材料: PC
 额定电压: 500V
 额定电流: 16A
 绝缘电阻: $\geq 400M\Omega$
 脉冲电压: 6KV
 污染等级: 3
 阻燃等级: UL94V-0
 插拔次数: 500次
 接线范围: $0.14mm^2 \sim 4mm^2$ (AWG26-AWG12)
 接线类型: 冷压接
- 端子需要单独订购。
 (订货号参考图面: T20300X20XX000)

TYPE-1: T2040104201-000 TE LOGO
 类型-1: T2040104201-000 TE LOGO

THIS DRAWING IS A CONTROLLED DOCUMENT.

DIMENSIONS:	TOLERANCES UNLESS OTHERWISE SPECIFIED:
mm	
	0 PLC \pm
	1 PLC \pm
	2 PLC \pm
	3 PLC \pm
	4 PLC \pm
	ANGLES \pm
MATERIAL	FINISH
-	-

DWN	Gino.Yao	13APR2015
CHK	Chris.Wang	13APR2015
APVD	Xiang.Xu	13APR2015
PRODUCT SPEC	108-137044	
APPLICATION SPEC	114-137044	
WEIGHT	-	



NAME		HE-010-FC	
SIZE	CAGE CODE	DRAWING NO	RESTRICTED TO
A3	00779	©-T2040104201000	-
Customer Drawing		SCALE 1:1	SHEET 1 OF 2 REV B2

THIS DRAWING IS UNPUBLISHED.

RELEASED FOR PUBLICATION

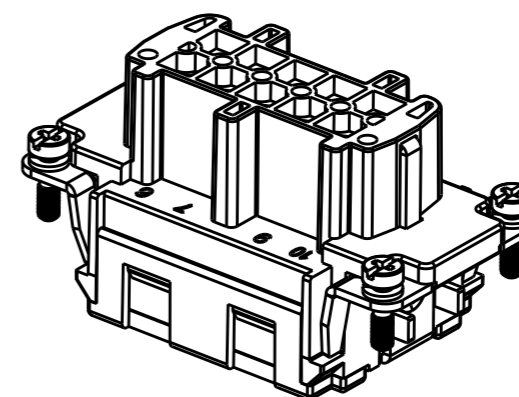
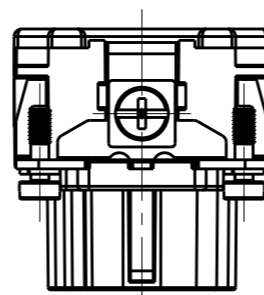
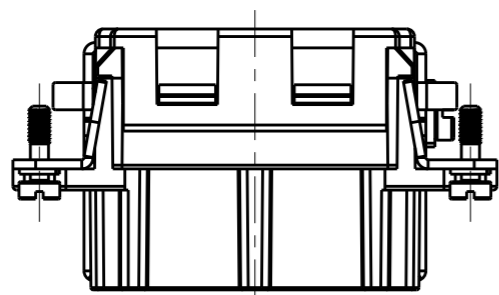
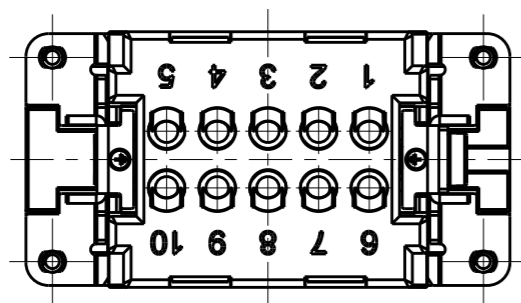
20

© COPYRIGHT 20 BY -

ALL RIGHTS RESERVED.

REVISIONS

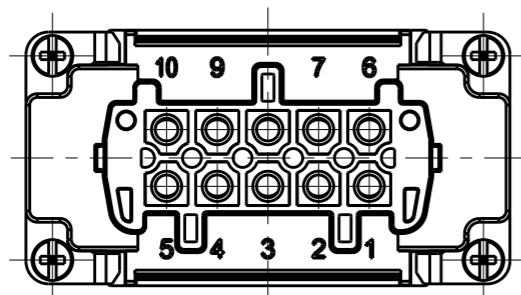
P	LTR	DESCRIPTION	DATE	DWN	APVD
-		SEE SHEET 1	-	-	-



NOTES:
SEE SHEET 1
注释:
见页 1

TYPE-2: T2040104201-001 STAINLESS STEEL SCREW, NO LOGO
类型-2: T2040104201-001 不锈钢螺丝, 无LOGO

ALL DIMENSIONS ARE SAME AS TYPE 1,
EXCEPT THOSE DEFINED IN THIS TYPE.
除了在本类型中定义的尺寸外, 其它尺寸同类型 1



T2040104201-001	HE-010-FC	HE-010 FEMALE INSERT, CRIMPING, STAINLESS STEEL SCREW, NO LOGO HE-010母插, 冷压, 不锈钢螺丝, 无LOGO	TYPE-2 类型-2
T2040104201-000	HE-010-FC	HE-010 FEMALE INSERT, CRIMPING HE-010母插, 冷压	TYPE-1 类型-1
PART NUMBER 料号	PART DESCRIPTION 描述		TYPE 类型

THIS DRAWING IS A CONTROLLED DOCUMENT.		DWN Gino.Yao 13APR2015				
DIMENSIONS: mm		CHK Chris.Wang 13APR2015			NAME HE-010-FC	
TOLERANCES UNLESS OTHERWISE SPECIFIED:		APVD Xiang.Xu 13APR2015				
		PRODUCT SPEC 108-137044				
MATERIAL		APPLICATION SPEC 114-137044	SIZE A3	CAGE CODE 00779	DRAWING NO G-T2040104201000	RESTRICTED TO
FINISH		WEIGHT	SCALE 1:1		SHEET 2 OF 2	REV B2
		Customer Drawing				