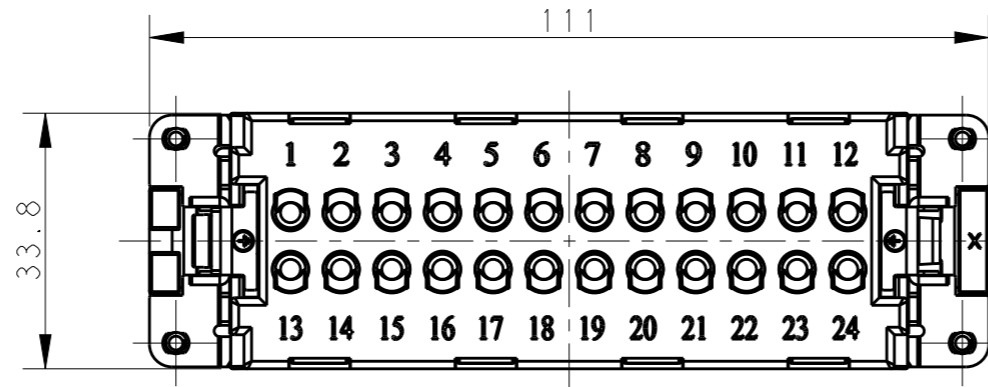
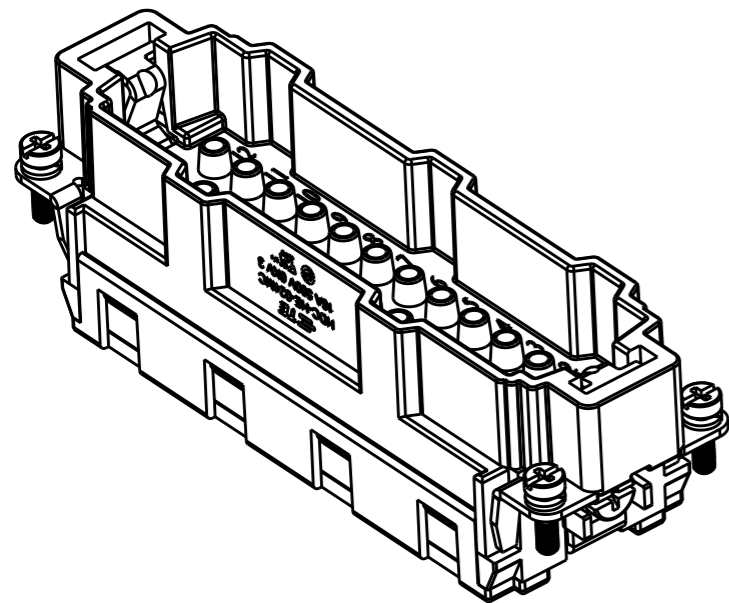


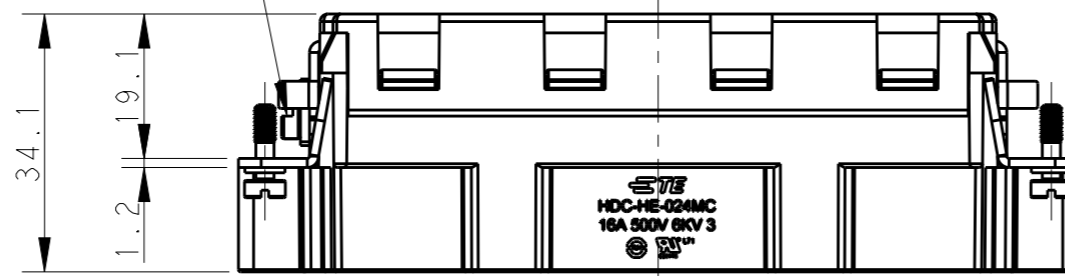
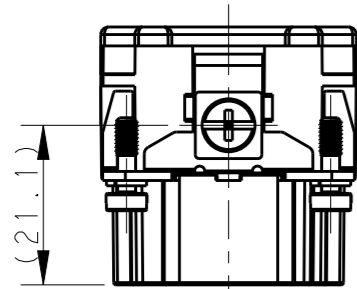
THIS DRAWING IS UNPUBLISHED. RELEASED FOR PUBLICATION 20
 © COPYRIGHT 20 BY - ALL RIGHTS RESERVED.

REVISIONS

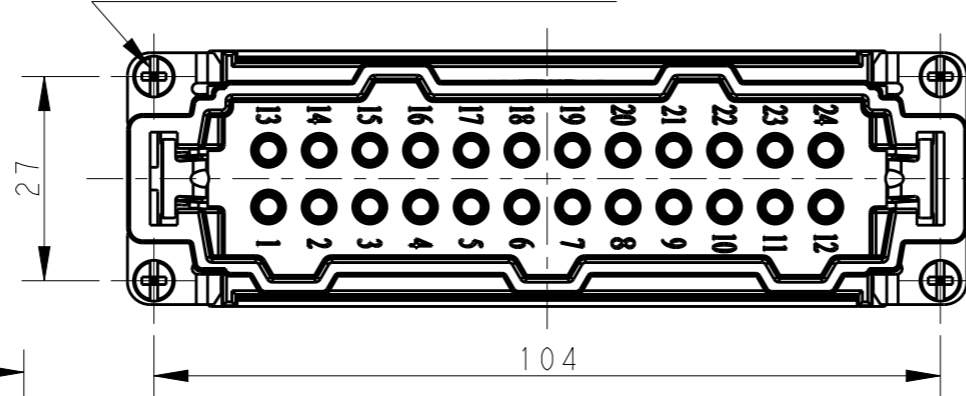
P	LTR	DESCRIPTION	DATE	DWN	APVD
	A	INITIAL	05Jan2015	GY	CW
	A1	ECR-15-004309	24Mar2015	GY	CW
	B	ECR-15-013759	10Oct2015	DW	CW
	B1	ECR-16-015492	17NOV2016	QY	CW



M4 SCREW, RECOMMENDED
 TIGHTENING TORQUE 1.2Nm
 M4螺丝, 推荐锁紧力矩1.2Nm



4X M3 SCREW, RECOMMENDED
 TIGHTENING TORQUE 0.5Nm
 4X M3螺丝, 推荐锁紧力矩0.5Nm



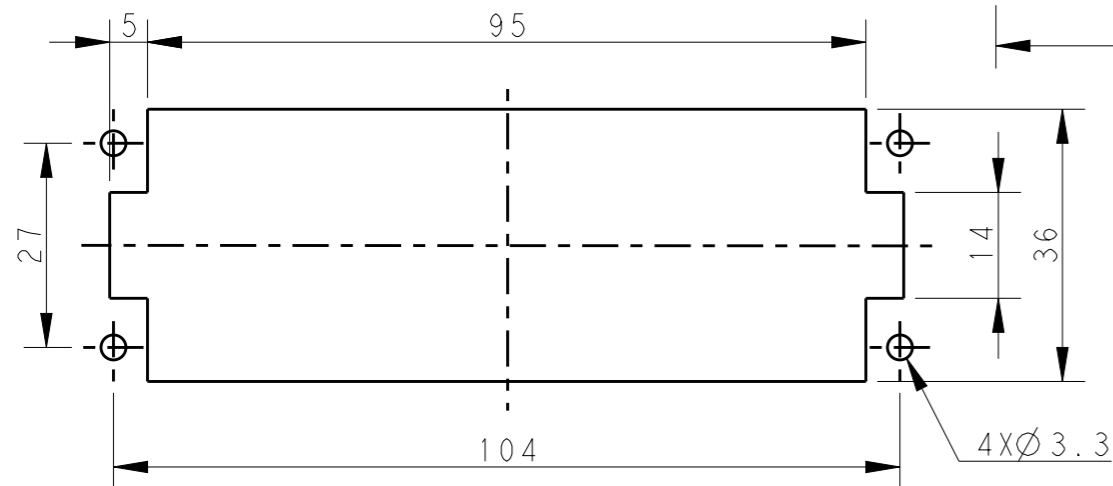
NOTES:

- TECHNICAL CHARACTERISTICS:
 INSULATION MATERIAL: PC
 RATED VOLTAGE: 500V
 RATED CURRENT: 16A
 INSULATION RESISTANCE: $\geq 400M\Omega$
 RATED IMPULSE VOLTAGE: 6KV
 POLLUTION DEGREE: 3
 FLAMMABILITY: UL94V-0
 MATING CYCLES: 500 CYCLES
 WIRE RANGE: $0.14mm^2 \sim 4mm^2$ (AWG26-AWG12)
 CONTACT TYPE: CRIMP CONTACT
- CONTACTS NEED TO BE ORDERED SEPARATELY.
 (ORDER No. REFER TO DRAWING: T20300X10XX000)

注释:

- 技术参数:
 绝缘材料: PC
 额定电压: 500V
 额定电流: 16A
 绝缘电阻: $\geq 400M\Omega$
 脉冲电压: 6KV
 污染等级: 3
 阻燃等级: UL94V-0
 插拔次数: 500次
 接线范围: $0.14mm^2 \sim 4mm^2$ (AWG26-AWG12)
 接线类型: 冷压接
- 端子需要单独订购。
 (订货号参考图面: T20300X10XX000)

TYPE-1, T2040244101-000, TE LOGO
 类型-1, T2040244101-000, TE LOGO



PANEL CUT FOR INSERTS FOR USING
 WITHOUT HOODS/ HOUSINGS
 不使用防护外壳时芯件的安装开孔图

THIS DRAWING IS A CONTROLLED DOCUMENT.		DWN Gino.Yao 19Aug2014		TE Connectivity	
DIMENSIONS: mm		CHK Chris.Wang 19Aug2014			
TOLERANCES UNLESS OTHERWISE SPECIFIED:		APVD Xiang.Xu 19Aug2014		NAME HE-024-MC	
0 PLC \pm		PRODUCT SPEC 108-137044		SIZE A3	
1 PLC \pm		APPLICATION SPEC 114-137044		CAGE CODE 00779	
2 PLC \pm		WEIGHT -		DRAWING NO. T2040244101000	
3 PLC \pm		CUSTOMER DRAWING		RESTRICTED TO -	
4 PLC \pm		SCALE 1:1		SHEET 1 OF 2	
ANGLES \pm		SHEET 1 OF 2		REV B1	
FINISH -		SCALE 1:1		SHEET 1 OF 2	
MATERIAL -		SCALE 1:1		SHEET 1 OF 2	

THIS DRAWING IS UNPUBLISHED.

RELEASED FOR PUBLICATION

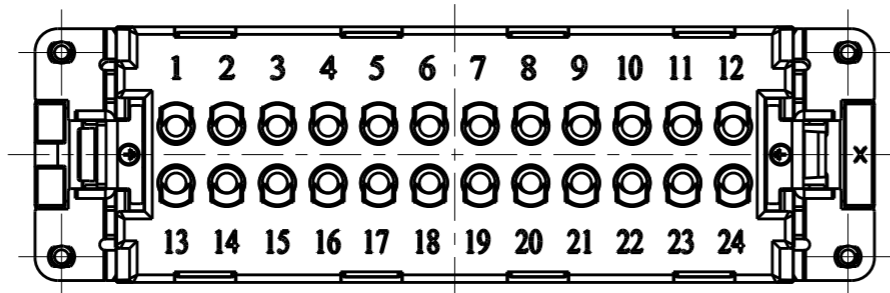
20

© COPYRIGHT 20 BY -

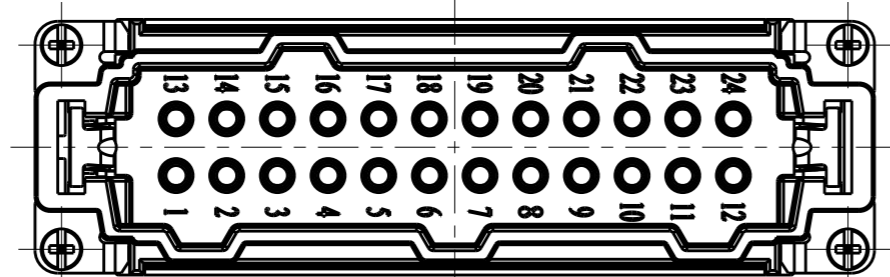
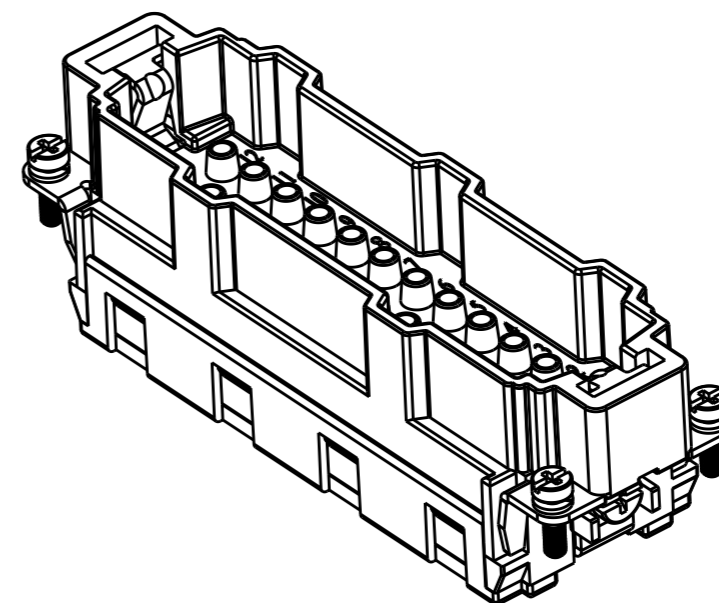
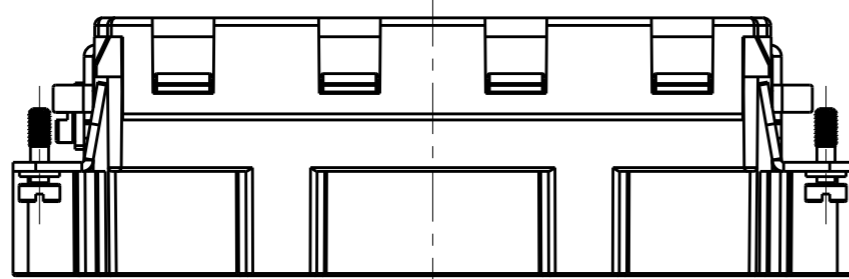
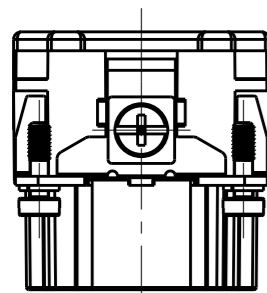
ALL RIGHTS RESERVED.

REVISIONS

P	LTR	DESCRIPTION	DATE	DWN	APVD
-	-	SEE SHEET 1	-	-	-



NOTE:
SEE SHEET 1
注释:
见页 1



TYPE-2, T2040244101-001, STAINLESS STEEL SCREW, NO LOGO
类型-2, T2040244101-001, 不锈钢螺丝, 无LOGO

ALL SPEC DIMENSION REFER TO TYPE 1
所有产品规格尺寸参照 TYPE 1

PART NUMBER 料号	PART DESCRIPTION 描述	TYPE 类型
T2040244101-001	HE-024 MALE INSERT, CRIMPING, STAINLESS STEEL SCREW, NO LOGO HE-024公插, 冷压针, 不锈钢螺丝, 无LOGO	TYPE-2 类型-2
T2040244101-000	HE-024 MALE INSERT, CRIMPING HE-024公插, 冷压针	TYPE-1 类型-1

THIS DRAWING IS A CONTROLLED DOCUMENT.		DWN Gino.Yao 19Aug2014			
DIMENSIONS: mm		CHK Chris.Wang 19Aug2014			NAME HE-024-MC
TOLERANCES UNLESS OTHERWISE SPECIFIED:		APVD Xiang.Xu 19Aug2014			PRODUCT SPEC 108-137044
0 PLC ±- 1 PLC ±- 2 PLC ±- 3 PLC ±- 4 PLC ±- ANGLES ±-		APPLICATION SPEC 114-137044			SIZE A3
MATERIAL -	FINISH -	WEIGHT -	CAGE CODE 00779	DRAWING NO T2040244101000	RESTRICTED TO -
CUSTOMER DRAWING			SCALE 1:1	SHEET 2 OF 2	REV B1