

THIS DRAWING IS UNPUBLISHED. RELEASED FOR PUBLICATION 20  
 © COPYRIGHT 20 BY - ALL RIGHTS RESERVED.

REVISIONS				
P	LTR	DESCRIPTION	DATE	APVD
B		ECR-16-010100 UPDATE NAME	14JUL2016	L.Z X.X

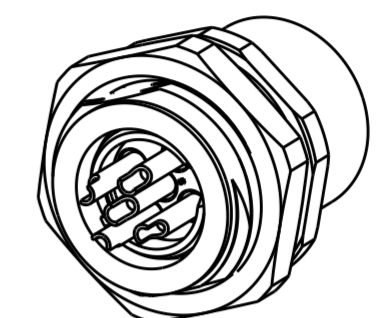
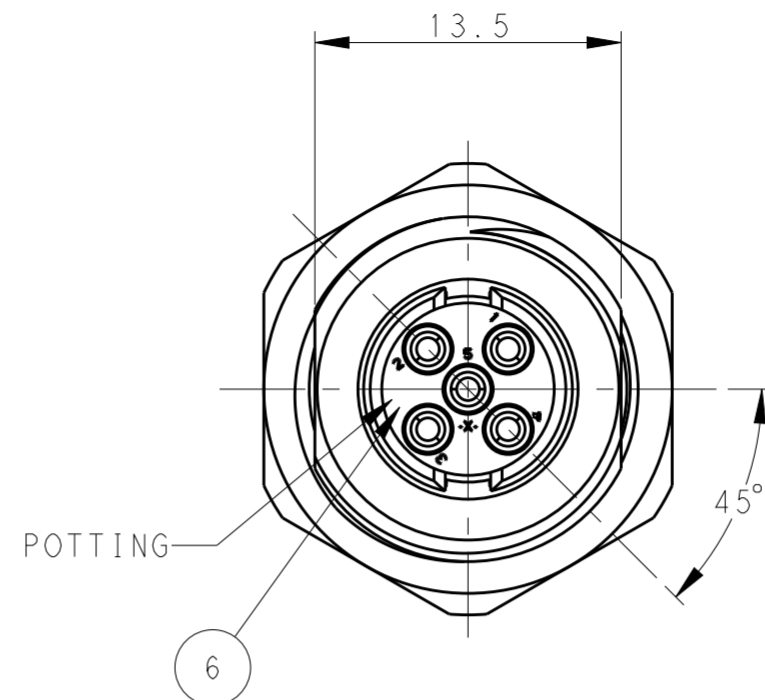
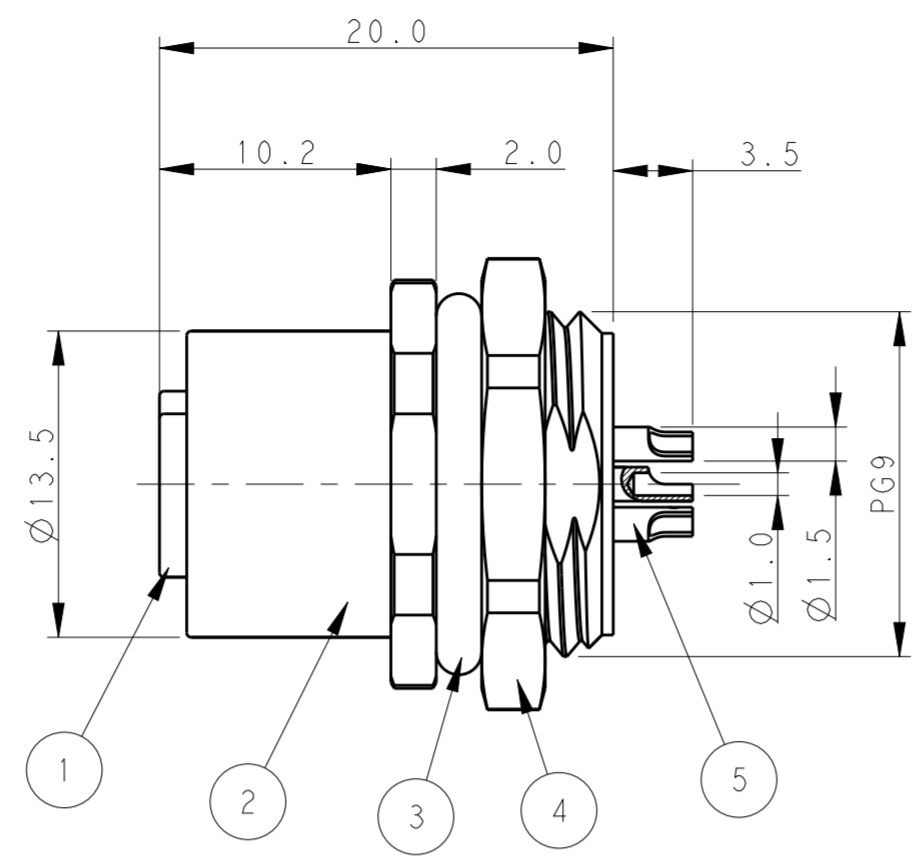
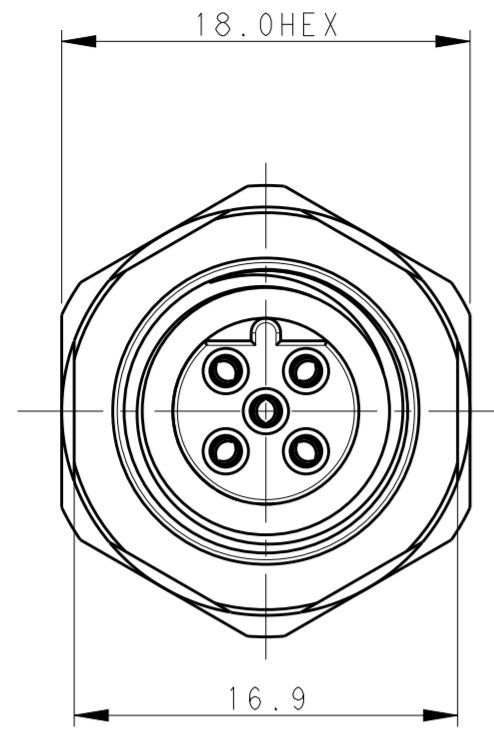


TABLE 1

TECHNICAL DATA	T4133412021-000	T4133412031-000	T4133412041-000	T4133412051-000
RATED VOLTAGE	250V	250V	250V	60V
RATED CURRENT	4A	4A	4A	4A
POLLUTION DEGREE	3	3	3	3
OVERVOLTAGE CATEGORY	II	II	II	II
MATERIAL GROUP	II	II	II	II
CONTACT RESISTANCE	<=10mΩ	<=10mΩ	<=10mΩ	<=10mΩ
INSULATION RESISTANCE	>100MΩ	>100MΩ	>100MΩ	>100MΩ
DEGREE OF PROTECTION	IP67	IP67	IP67	IP67
OPERATION TEMPERATURE	-40~85°C	-40~85°C	-40~85°C	-40~85°C

NOTE:

1. TECHNICAL DATA: SEE TABLE 1
2. RECOMMENDED MOUNT PANEL SEE DETAIL
3. PRODUCT COMPLIES WITH IEC61076-2-101
4. PLASTIC INERT MATERIAL:UL LISTED WITH UL94V0 FLAME RATING
5. ALL MATERIALS TO BE ROHS COMPLIANT
6. ALL MATERIALS TO BE REACH COMPLIANT
7. PN INFORMATION FOR ASSEMBLY PARTS

注释:

- 1: 技术参数, 见表1
- 2: 推荐开孔尺寸详见如图
- 3: 产品符合标准 IEC61076-2-101
- 4: 塑胶材料符合UL标准, UL-94V0阻燃等级
- 5: 所有材料符合ROHS参照标准TEC-138-705
- 6: 所有材料符合REACH参照标准TEC-138-705
- 7: 成品料号信息如下:

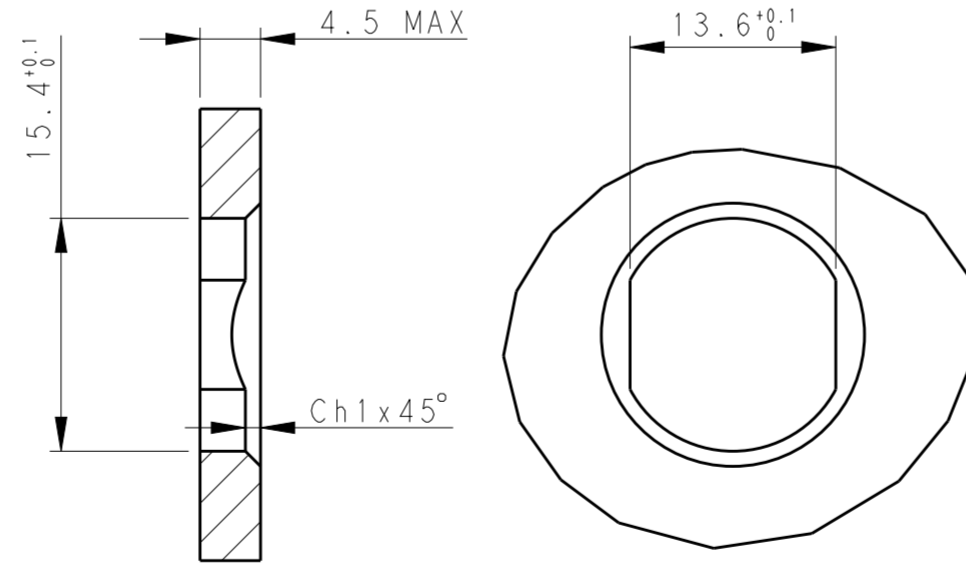
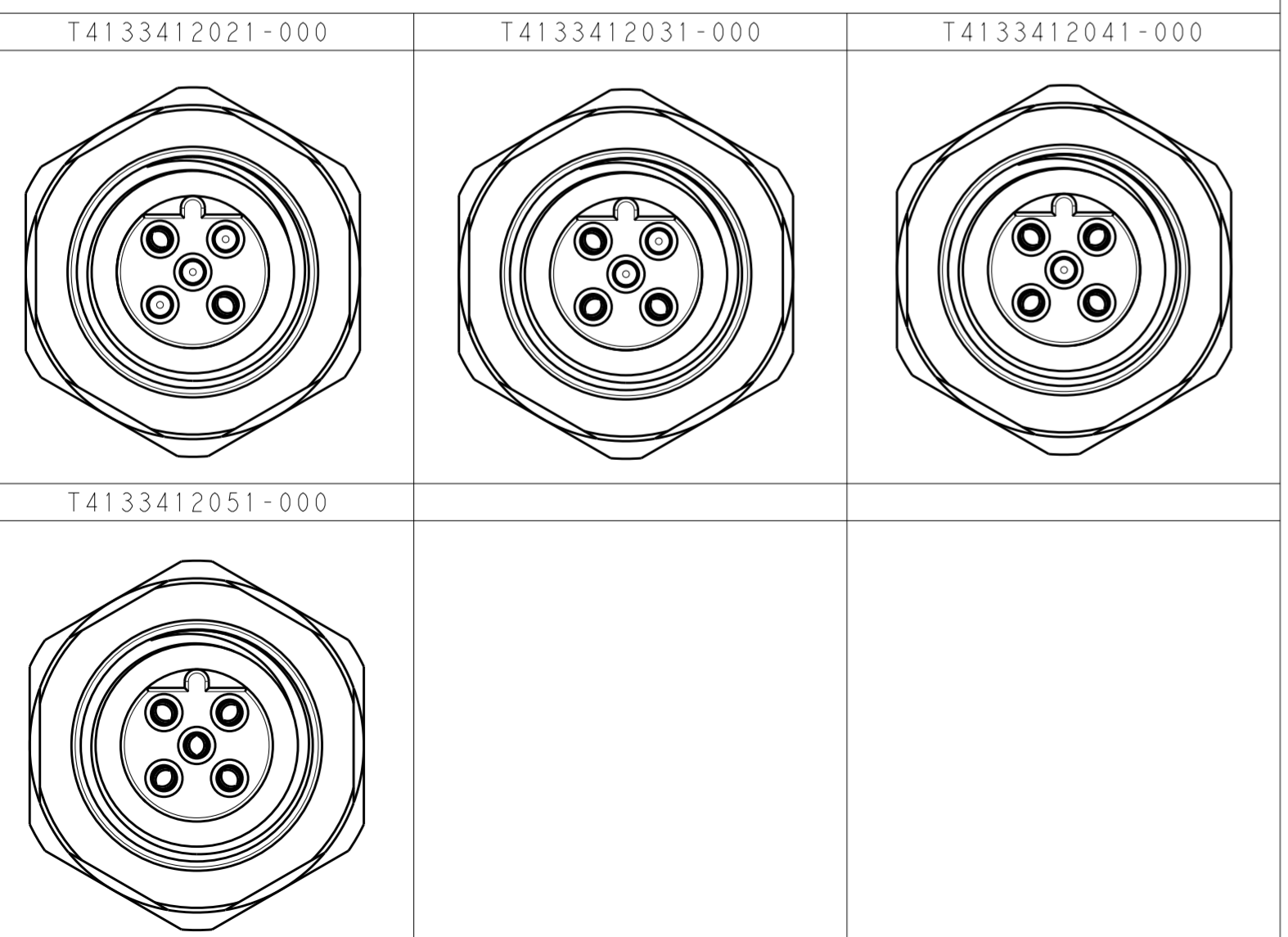
T41334120X1-000

- CONTACT FINISH:  
1: GOLD 3u''
- NUMBER OF PINS:  
02: 2 PINS  
03: 3 PINS  
04: 4 PINS  
05: 5 PINS

T41334120X1-000

- 端子电镀:  
1: 3u''金
- 针数:  
02: 2 针  
03: 3 针  
04: 4 针  
05: 5 针

PIN ARRANGEMENT B-CODE



RECOMMENDED PANEL CUTOUT

TE PN	TYPE
T4133412021-000	RPC-M12B-FB-2CON-PG9-LAU
T4133412031-000	RPC-M12B-FB-3CON-PG9-LAU
T4133412041-000	RPC-M12B-FB-4CON-PG9-LAU
T4133412051-000	RPC-M12B-FB-5CON-PG9-LAU

PLATING	MATERIAL	DESCRIPTION	ITEM
-	EPOXY RESIN	POTTING ADHESIVE	6
3u'' GOLD MIN.	COPPER ALLOY	CONTACT	5
200u'' NICKEL MIN.	COPPER ALLOY	METAL NUT	4
-	-	O-RING	3
200u'' NICKEL MIN.	COPPER ALLOY	M12, MALE, METAL BODY	2
-	PA66	M12, MALE HSG	1

THIS DRAWING IS A CONTROLLED DOCUMENT.

DWN BO GAO 16FEB2016  
 CHK KOBBY ZHAO 16FEB2016  
 APVD XIANG XU 16FEB2016

TE Connectivity

M12 PANEL MOUNT CONNECTOR  
 B CODE, FEMALE, FRONT MOUNTING  
 WIRE SOLDERING

SIZE A2 CAGE CODE - DRAWING NO. G-T41334120X1000 RESTRICTED TO -  
 SCALE 3:1 SHEET 1 OF 1 REV B