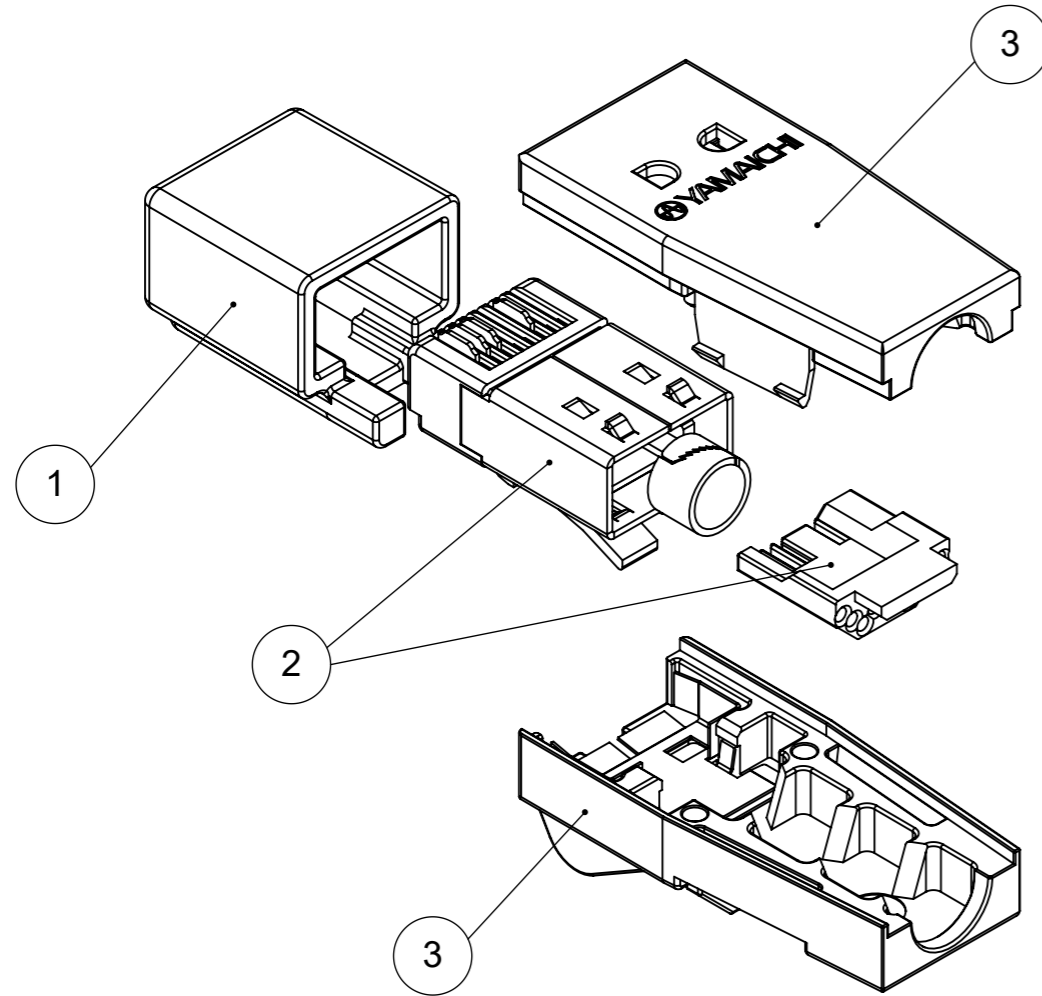
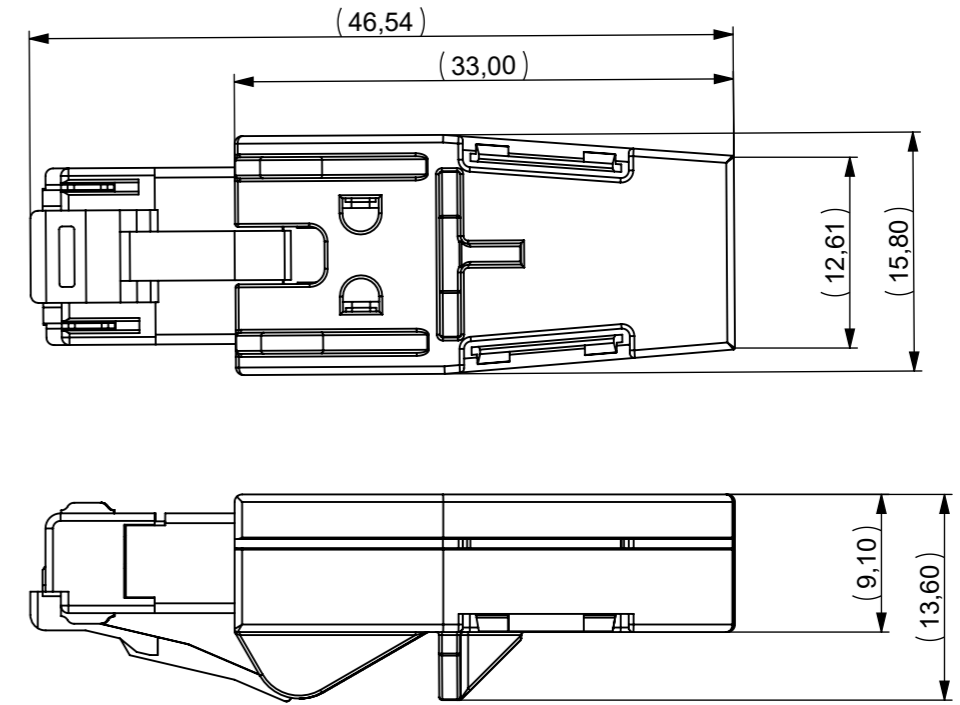


THE INFORMATION CONTAINED IN THIS DRAWING IS THE SOLE PROPERTY OF YAMAICHI ELECTRONICS DEUTSCHLAND GmbH. ANY REPRODUCTION IN PART OR WHOLE WITHOUT THE WRITTEN PERMISSION OF YAMAICHI ELECTRONICS DEUTSCHLAND GmbH IS PROHIBITED.

CONFIDENTIAL



Dimensions of assembled Kit (w/o cable and Y-CONAS-12)



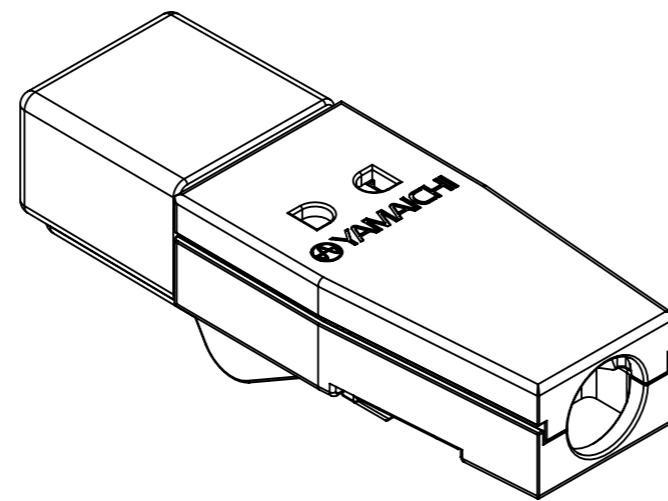
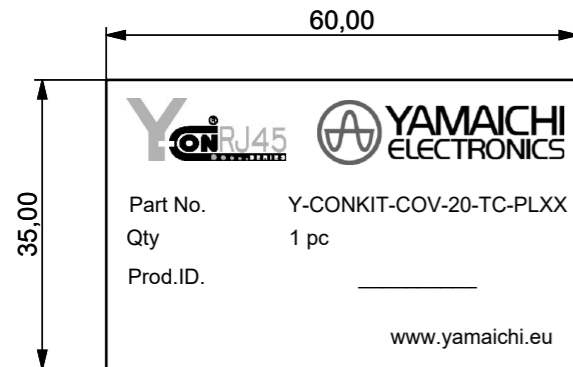
BOM / Stücklistentabelle

ITEM	QTY.	BIOS	ZEICH.Nr.
1	1	82-00070	Y-ConAS-12
2	1	see Variations	Y-ConPlug-xx
3	1	82-00789	Y-CONCOVER-20-TC-Y

Table of Variationen

TITLE	BIOS	Y-CONPLUG (2)
Y-CONKIT-COV-20-TC-PL21	82-00868	Y-CONPLUG-21 (82-00053)
Y-CONKIT-COV-20-TC-PL51	82-00869	Y-CONPLUG-51 (82-00410)
Y-CONKIT-COV-20-TC-PL11	82-00870	Y-CONPLUG-11 (82-00096)

Label :



Yamaichi acts with all markings of the product exclusively on behalf of the customer as service provider and not as distributor. Yamaichi is not aware of the customer's end use/application. The customer indemnifies Yamaichi from any liability towards third parties in connection with the marking - with the exception of the legal exclusions of liability according to § 309 No. 7 BGB.

Specification/Drawing subject to alteration without prior notice

RoHS compliant acc. to directive 2011/65/EU

Unless otherwise specified : Dimensions are in millimeters TOLERANCES		REV.	REVISION DESCRIPTION	INITIALS	REV. DATE
		△			
		△			
		△			
		△			
Order / Article No. see table		DO NOT SCALE DRAWING		CLASSIFICATION: IP20 EMI RJ45 field kit	
NOTES: A3	ANGLE PROJECTION: FIRST	CREATED	NAME	DATE	TITLE: Y-CONKIT-COV-20-TC-PLXX
		MODIFIED	M189	16.12.2019	DWG NO.: Customer-P(090)A03
		RELEASED	M161	17.12.2019	REVISION: 001
WEIGHT:		SUBREV	01	SCALE: 2:1	SHEET 1 OF 1 A3 - ASSEMBLY

