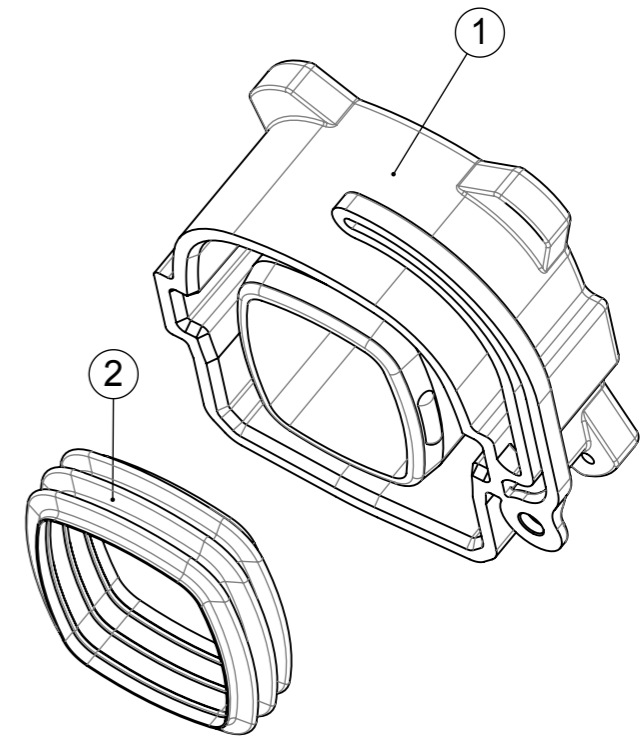
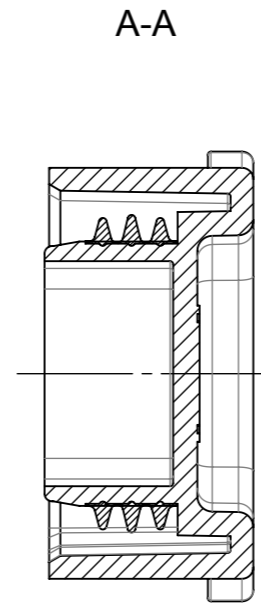
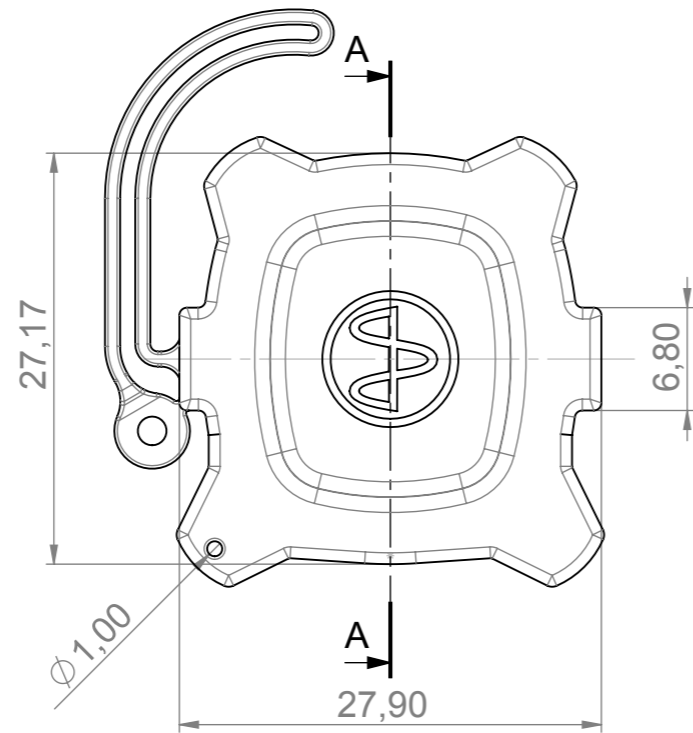
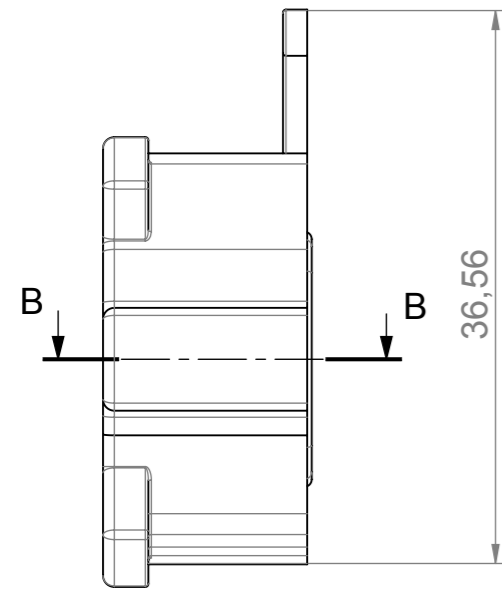
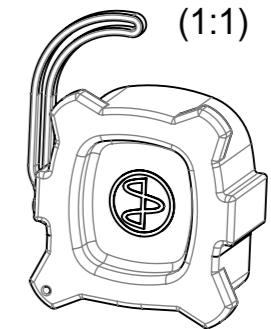
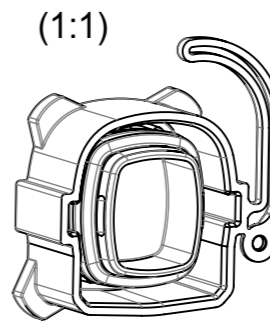
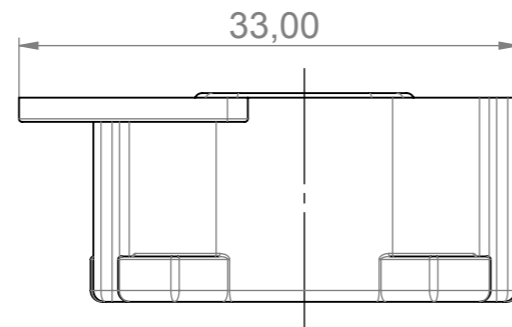
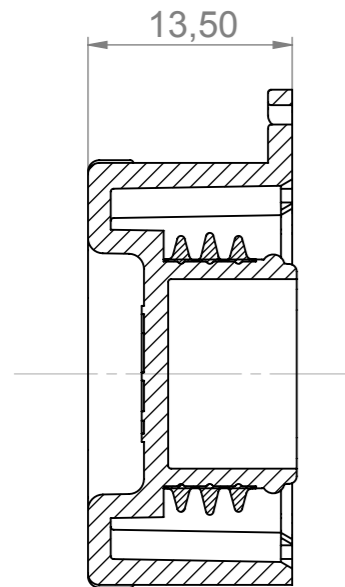


THE INFORMATION CONTAINED IN THIS DRAWING IS THE SOLE PROPERTY OF YAMAICHI ELECTRONICS DEUTSCHLAND GmbH. ANY REPRODUCTION IN PART OR WHOLE WITHOUT THE WRITTEN PERMISSION OF YAMAICHI ELECTRONICS DEUTSCHLAND GmbH IS PROHIBITED.

CONFIDENTIAL



B-B



Specification/Drawing subject to alteration without prior notice

Item No.	QUANTITY	DESCRIPTION	MATERIAL
1	1	Protective cover	PE
2	1	IP67-Protection seal	Viton

RoHS compliant acc. to directive 2002/95/EG

Unless otherwise specified : Dimensions are in millimeters		REV.	REVISION DESCRIPTION	INITIALS	REV. DATE
		△			
		△			
		H	New cover with hole	HE	08.08.2008
		F	dim. changed	MG	22.03.2005
Order / Article No. 82-00252		DO NOT SCALE DRAWING		CLASSIFICATION: IP67 Protection cover with radial gasket for Y-ConFlange-10	
NOTES:	ANGLE PROJECTION:	DESIGN	HE	23.11.2004	TITLE: Y-CONAS-24
	FIRST	DRAWN	HE	08.08.2008	DWG NO.: Customer-P(090)A25
		CHECKED	TF	11.08.2008	
WEIGHT:				SCALE: 2:1	SHEET1 OF 1

