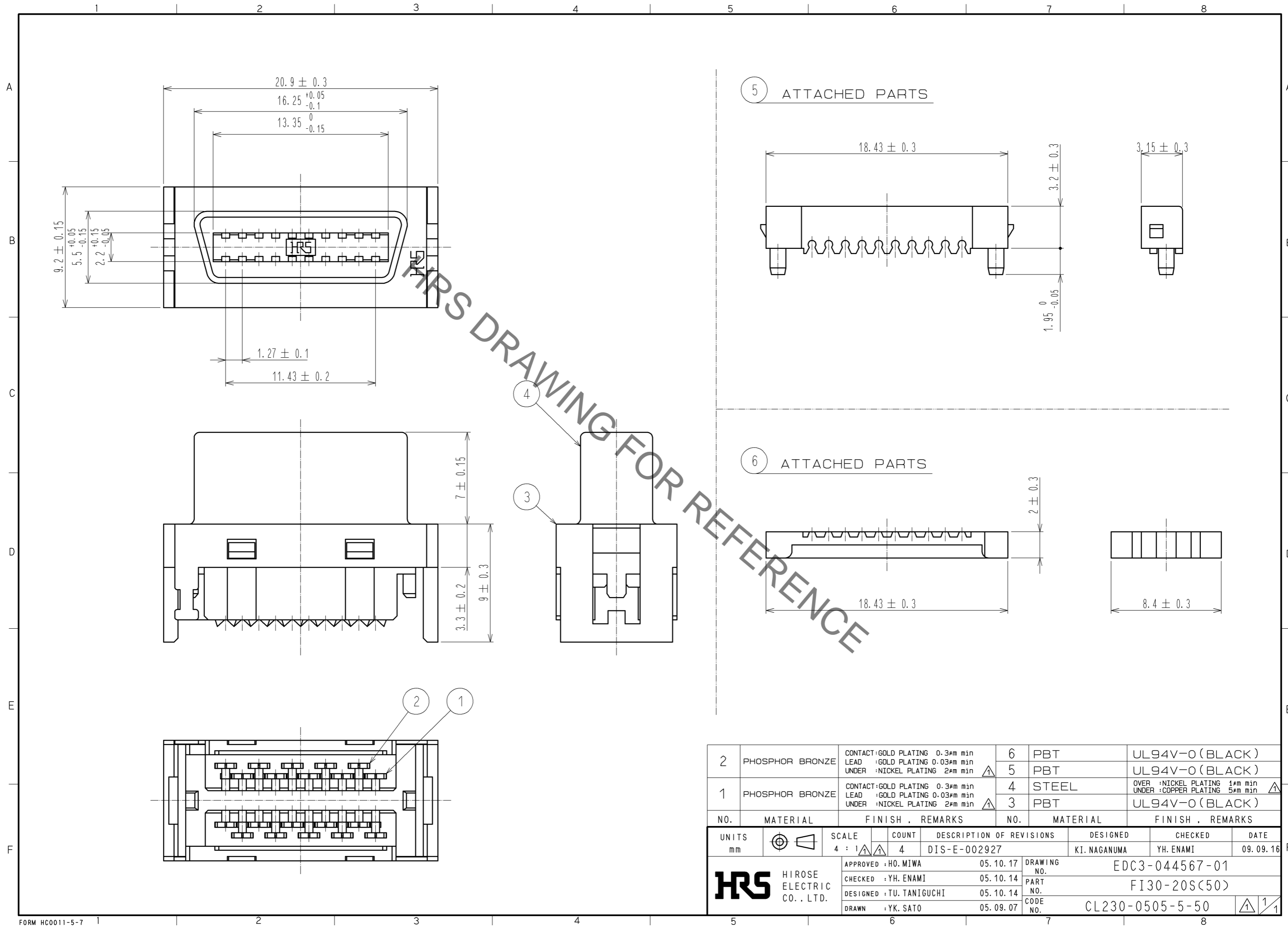


Jun.1.2023 Copyright 2023 HIROSE ELECTRIC CO., LTD. All Rights Reserved.
 In case of consideration for using Automotive equipment / device which demand high reliability, kindly contact our sales window correspondents.



NO.	MATERIAL	FINISH . REMARKS	NO.	MATERIAL	FINISH . REMARKS
2	PHOSPHOR BRONZE	CONTACT :GOLD PLATING 0.3µm min LEAD :GOLD PLATING 0.03µm min UNDER :NICKEL PLATING 2µm min	6	PBT	UL94V-0 (BLACK)
1	PHOSPHOR BRONZE	CONTACT :GOLD PLATING 0.3µm min LEAD :GOLD PLATING 0.03µm min UNDER :NICKEL PLATING 2µm min	5	PBT	UL94V-0 (BLACK)
			4	STEEL	OVER :NICKEL PLATING 1µm min UNDER :COPPER PLATING 5µm min
			3	PBT	UL94V-0 (BLACK)

UNITS	SCALE	COUNT	DESCRIPTION OF REVISIONS	DESIGNED	CHECKED	DATE
mm	4 : 1	4	DIS-E-002927	KI. NAGANUMA	YH. ENAMI	09.09.16
APPROVED : HO. MIWA			05.10.17	DRAWING NO. EDC3-044567-01		
CHECKED : YH. ENAMI			05.10.14	PART NO. FI30-20S(50)		
DESIGNED : TU. TANIGUCHI			05.10.14	CODE NO. CL230-0505-5-50		
DRAWN : YK. SATO			05.09.07	1/1		