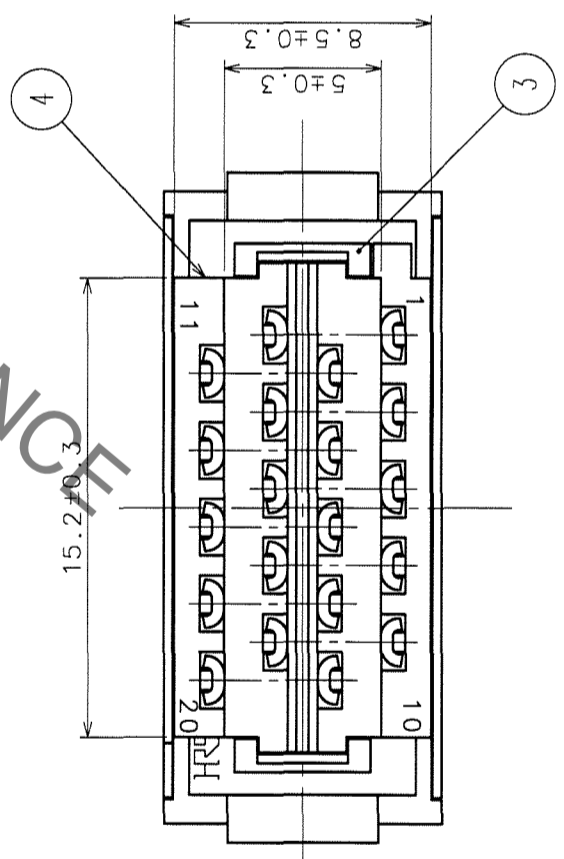
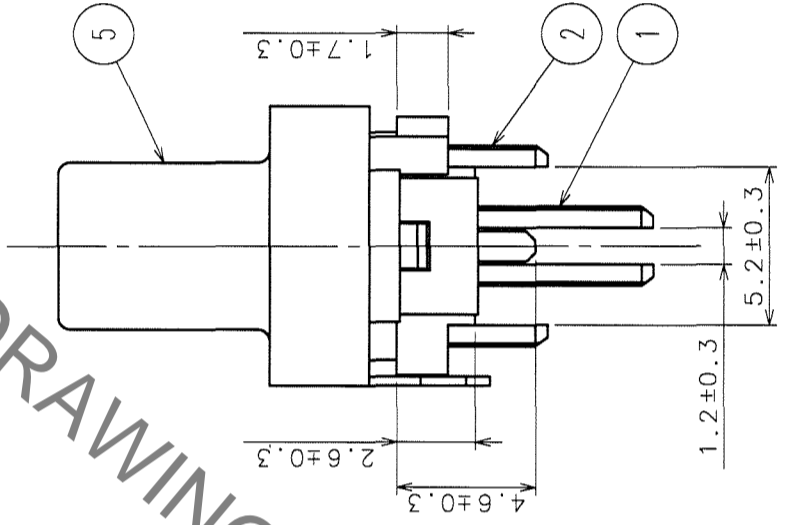
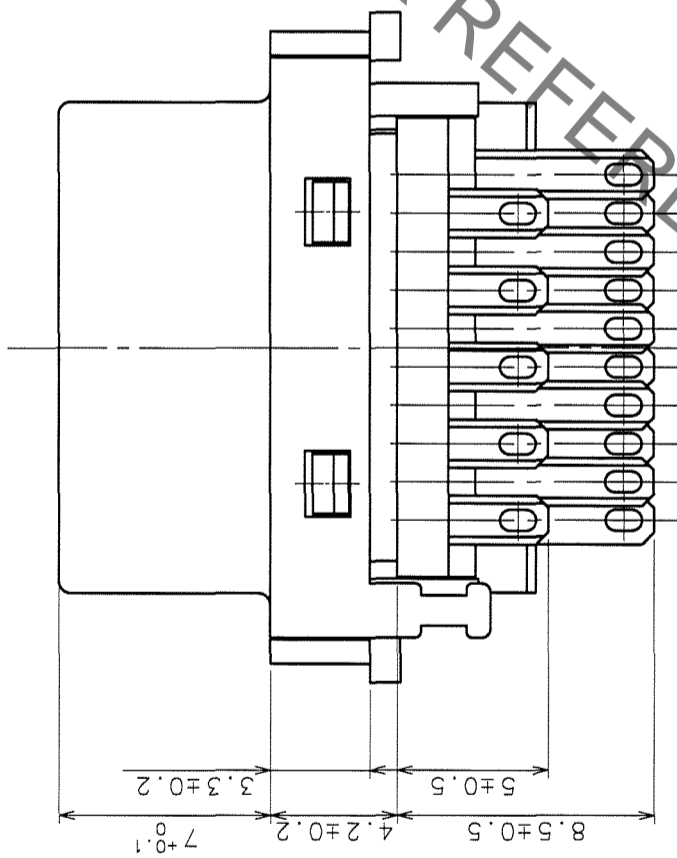
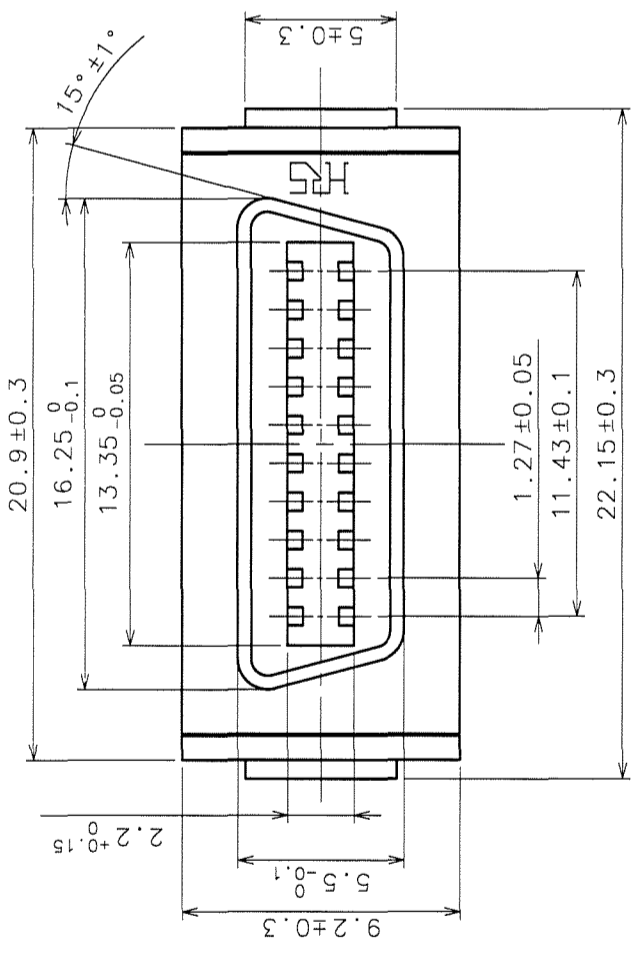


In case of consideration for using Automotive equipment / device which demand high reliability, kindly contact our sales window correspondents.

Jun.1.2023 Copyright 2023 HIROSE ELECTRIC CO., LTD. All Rights Reserved.

COUNT	DESCRIPTION OF REVISIONS	BY	CHKD	DATE	COUNT	DESCRIPTION OF REVISIONS	BY	CHKD	DATE
△					△				
△					△				
△					△				



HRS DRAWING FOR REFERENCE

NO.	MATERIAL	FINISH, REMARKS	NO.	MATERIAL	FINISH, REMARKS
2	PHOSPHOR BRONZE	SELECTIVE GOLD PLATING	5	STEEL	NICKEL PLATING
1	PHOSPHOR BRONZE	SELECTIVE GOLD PLATING	4	PPS	(BLACK) UL94V-0
			3	PPS	(BLACK) UL94V-0

CODE NO. (OLD)	DRAWN	DESIGNED	CHECKED	APPROVED	RELEASED
	M. Stone	F. Jangjich	Y. Enami	K. Muro	
	05.12.16	05.12.16	05.12.16	05.12.16	

DRAWING NO.	EDC3-120440-01	PART NO.	F140B-20S(50)
SCALE	4 : 1	CODE NO.	CL230-0518-7-50
UNITS	mm		

TO	Q1
----	----