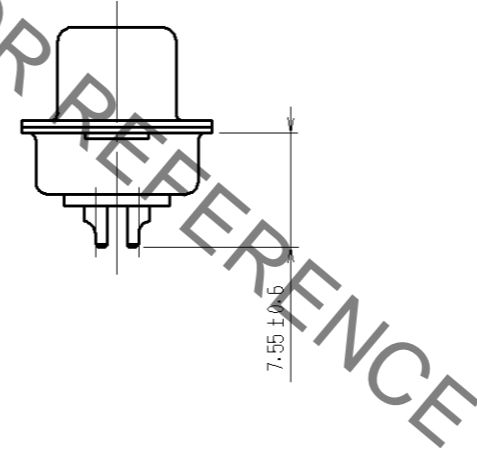
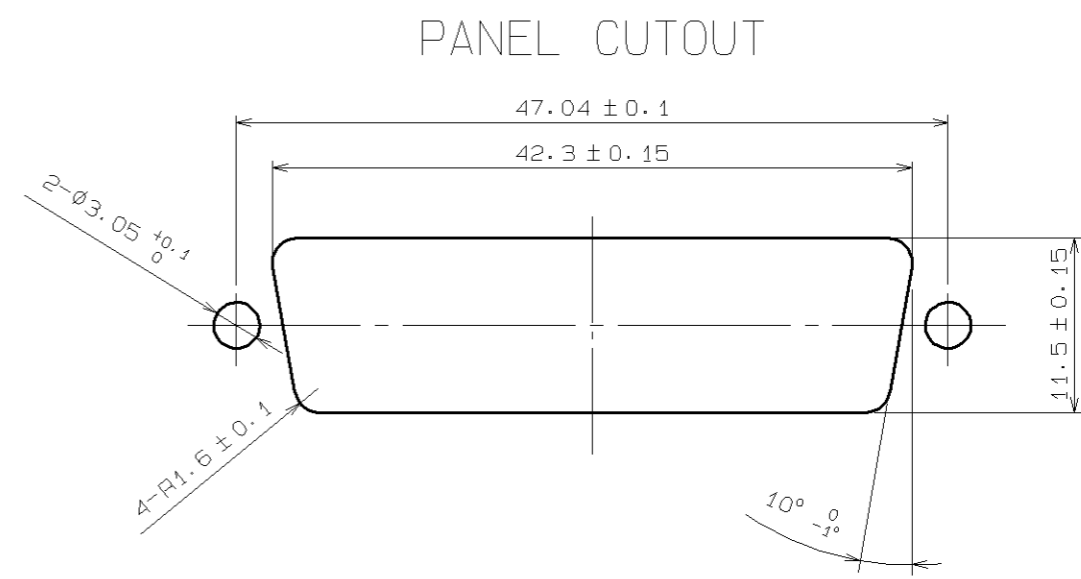
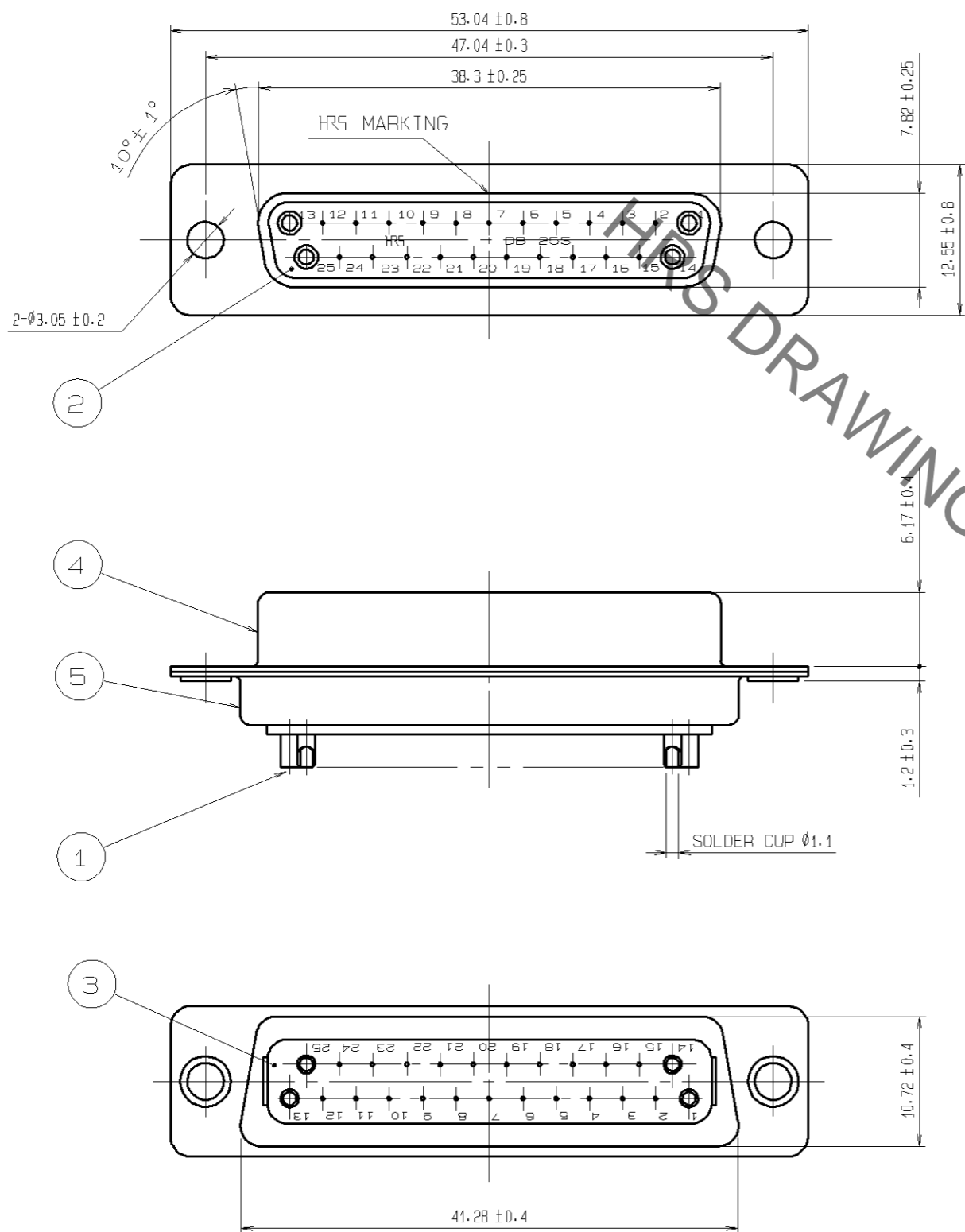


Jun.1.2023 Copyright 2023 HIROSE ELECTRIC CO., LTD. All Rights Reserved.
In case of consideration for using Automotive equipment / device which demand high reliability, kindly contact our sales window correspondents.



NOTE 1. SOLDERING SHALL BE DOWN WITH SOLDERING BIT OF 40W MAX WITHIN 4s.
 2 CONTACT AREA: GOLD PLATING $0.2\mu\text{m}$ MIN
 TERMINAL AREA: GOLD PLATING $0.03\mu\text{m}$ MIN
 UNDERPLATING: NICKEL PLATING $1\mu\text{m}$ MIN

3	PBT	UL94V-0 BLACK						
2	PBT	UL94V-0 BLACK	5	STEEL	NICKEL PLATING $2\mu\text{m}$			
1	PHOSPHOR BRONZE	2	4	STEEL	NICKEL PLATING $2\mu\text{m}$			
NO.	MATERIAL	FINISH. REMARKS	NO.	MATERIAL	FINISH. REMARKS			
UNITS	\odot ∇	SCALE	COUNT	DESCRIPTION OF REVISIONS		DESIGNED	CHECKED	DATE
mm		2 : 1	\triangle					
HRS HIROSE ELECTRIC CO., LTD.		APPROVED : HO.MIWA	06.07.26	DRAWING NO. EDC3-009500-03				
		CHECKED : HO.MIWA	06.07.26	PART NO. HDBB-25S(05)				
		DESIGNED : YH.ENAMI	06.07.26	CODE NO. CL211-0216-0-05				
		DRAWN : YH.ENAMI	06.07.26					