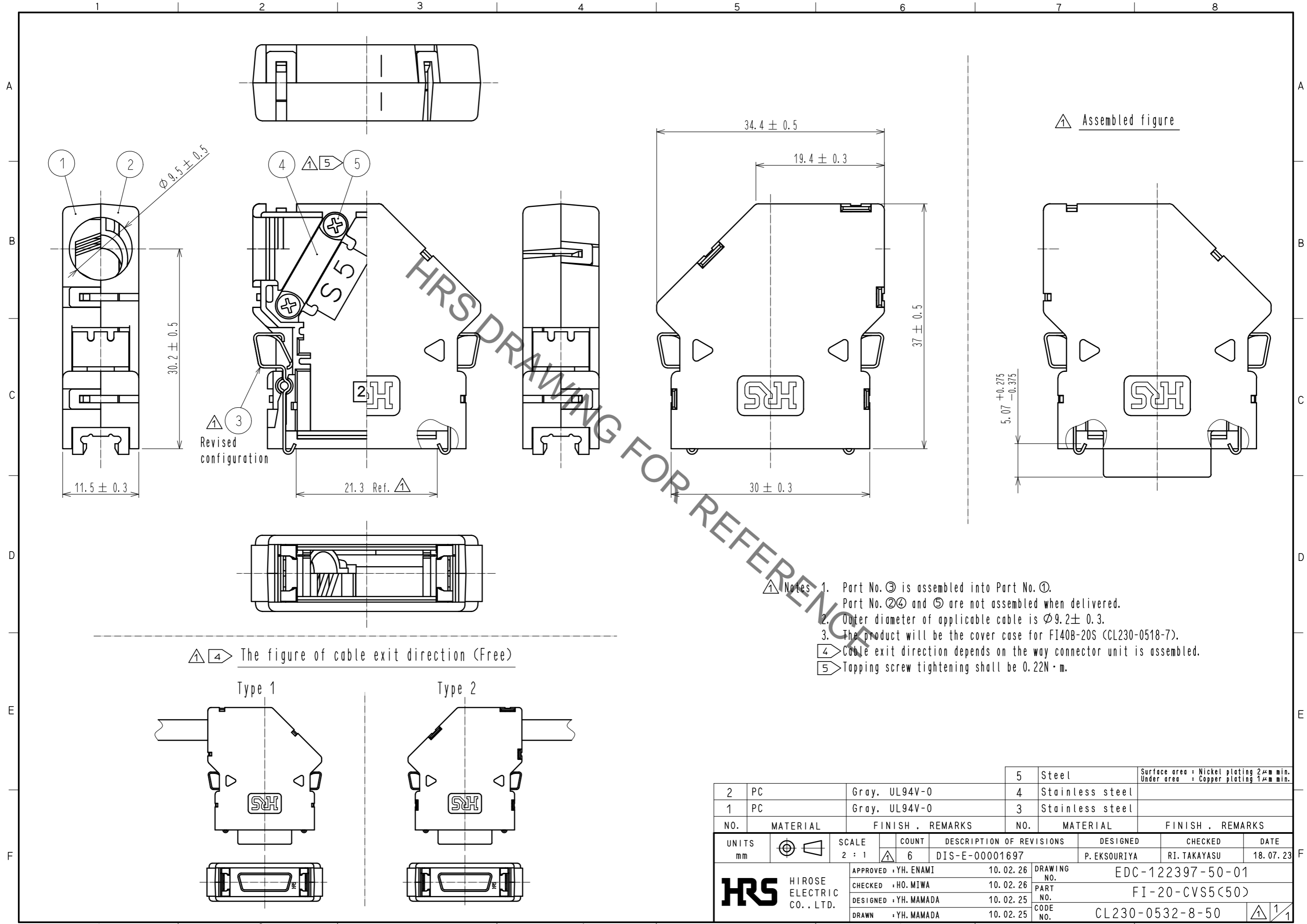
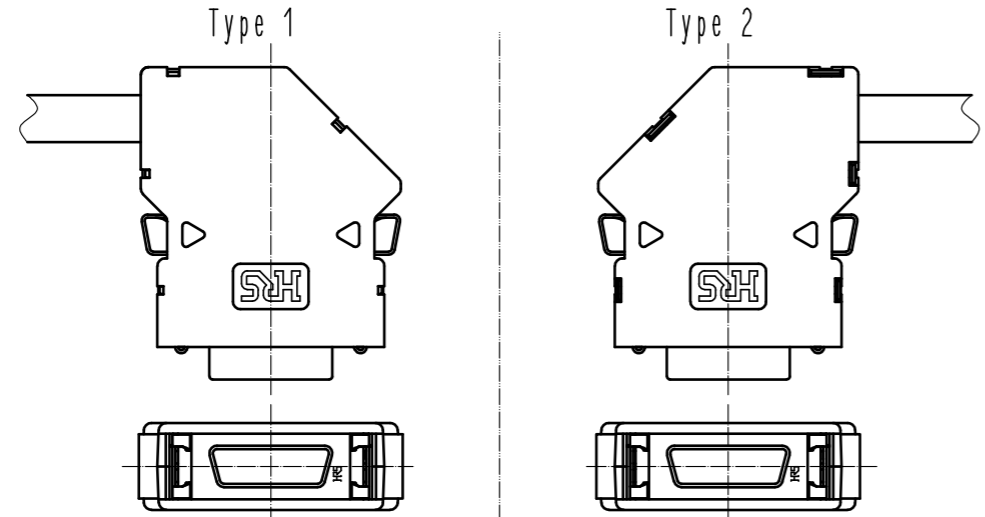


Jun.1.2023 Copyright 2023 HIROSE ELECTRIC CO., LTD. All Rights Reserved.
 In case of consideration for using Automotive equipment / device which demand high reliability, kindly contact our sales window correspondents.



- Notes
1. Part No. ③ is assembled into Part No. ①.
Part No. ②④ and ⑤ are not assembled when delivered.
 2. Outer diameter of applicable cable is $\phi 9.2 \pm 0.3$.
 3. The product will be the cover case for FI40B-20S (CL230-0518-7).
 - ④ Cable exit direction depends on the way connector unit is assembled.
 - ⑤ Tapping screw tightening shall be 0.22N·m.



2	PC	Gray, UL94V-0	5	Steel	Surface area : Nickel plating 2μm min. Under area : Copper plating 1μm min.
1	PC	Gray, UL94V-0	4	Stainless steel	
			3	Stainless steel	
NO.	MATERIAL	FINISH . REMARKS	NO.	MATERIAL	FINISH . REMARKS
UNITS		SCALE	COUNT	DESCRIPTION OF REVISIONS	
mm		2 : 1	6	DIS-E-00001697	
HRS HIROSE ELECTRIC CO., LTD.		APPROVED : YH. ENAMI	10.02.26	DRAWING NO. EDC-122397-50-01	
		CHECKED : HO. MIWA	10.02.26	PART NO. FI-20-CVS5(50)	
		DESIGNED : YH. MAMADA	10.02.25	CODE NO. CL230-0532-8-50	
		DRAWN : YH. MAMADA	10.02.25	1/1	
			DESIGNED	P. EKSOURIYA	18.07.23
			CHECKED	RI. TAKAYASU	
			DATE		