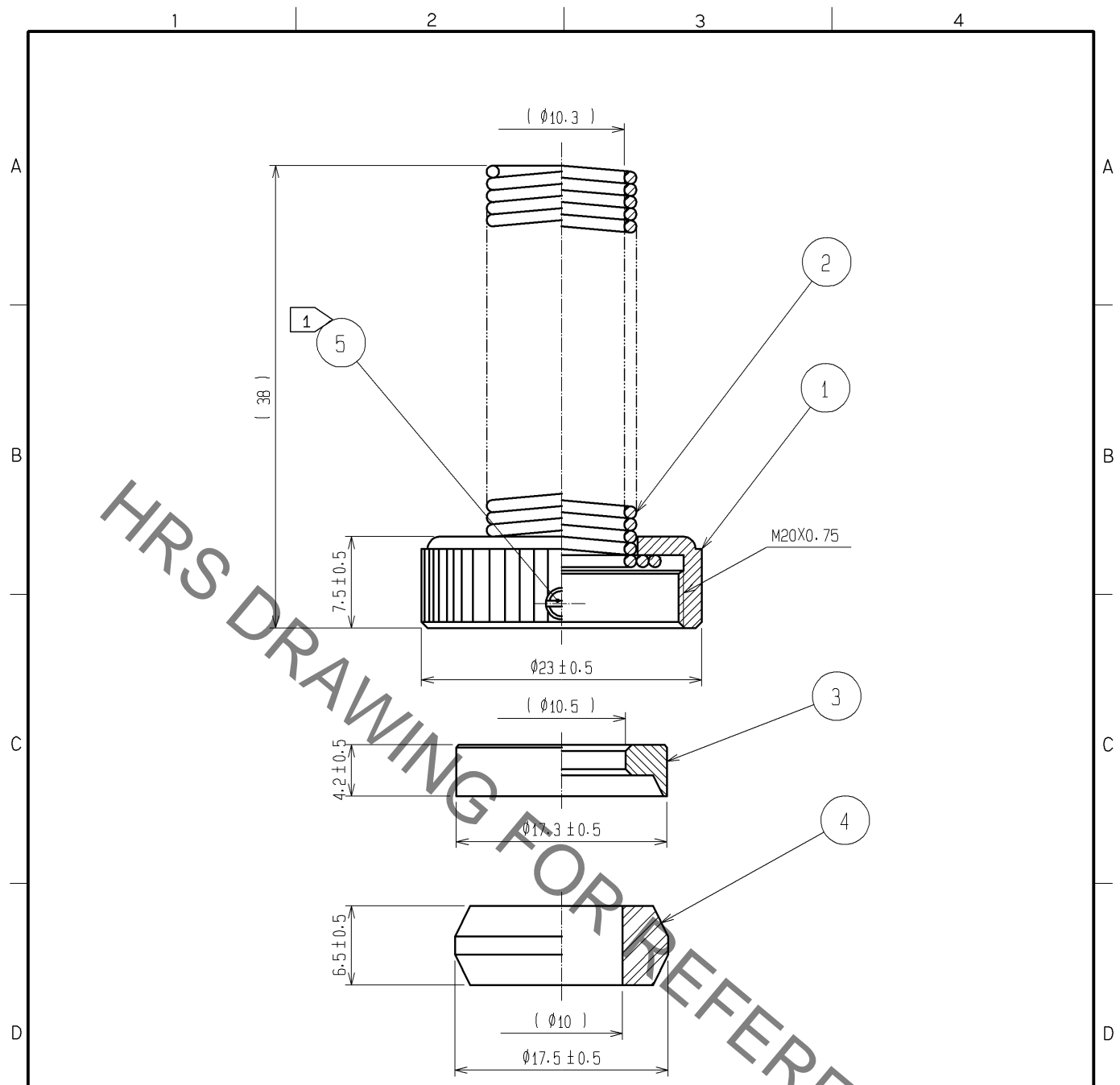


Jun.1.2023 Copyright 2023 HIROSE ELECTRIC CO., LTD. All Rights Reserved.
 In case of consideration for using Automotive equipment / device which demand high reliability, kindly contact our sales window correspondents.



HRS DRAWING FOR REFERENCE

- NOTES
- ① THE RECOMMENDED CLAMP TORQUE, REF. NO. ①: 0.2~0.3N·m.
 LOCTITE 271, HENKEL JAPAN OR EQUIVALENT IS RECOMMENDED TO PREVENT REF. NO. ① FOR LOOSENING.
 - ② APPLICABLE CABLE: $\phi 10 \pm 0.2$
 - ③ ASSEMBLE WITH APPLICABLE CONNECTOR (RM21WTP-**).
 ** SHOWS NUMBER OF CONTACT, AND MALE OR FEMALE OF CONNECTOR.

3	BRASS	NICKEL PLATING					
2	PHOSPHOR BRONZE	NICKEL PLATING	5	BRASS	NICKEL PLATING		
1	BRASS	NICKEL PLATING	4	CHLOROPRENE RUBBER	(BLACK)		
NO.	MATERIAL	FINISH	REMARKS	NO.	MATERIAL	FINISH	REMARKS

UNITS mm		SCALE 2 : 1	COUNT 	DESCRIPTION OF REVISIONS	DESIGNED	CHECKED	DATE	
HIROSE ELECTRIC CO., LTD.		APPROVED : MO. SATOH	08.01.31	DRAWING NO.	EDC4-110107-71			
		CHECKED : HY. KOBAYASHI	08.01.29	PART NO.	RM21WTP-CP(10)(71)			
		DESIGNED : DS. MATSUNE	08.01.29	CODE NO.	CL109-1406-6-71		1	1
		DRAWN : HN. TANAKA	08.01.09					