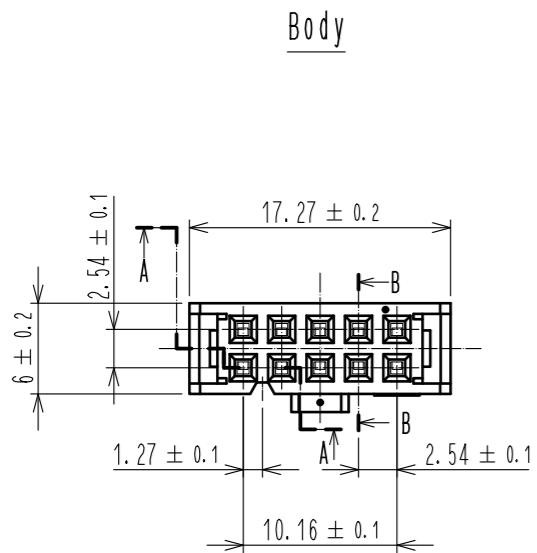
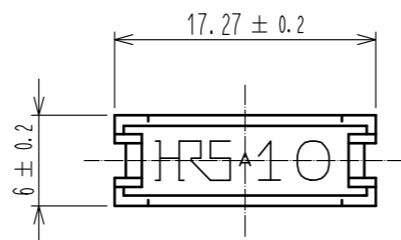


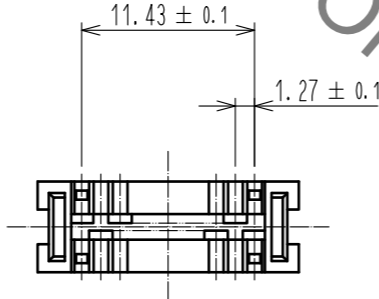
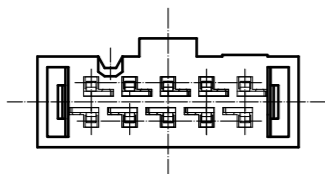
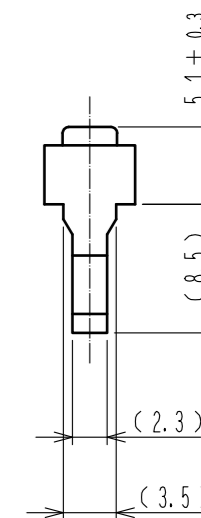
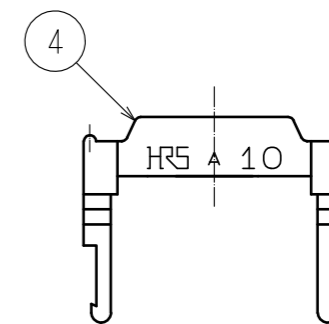
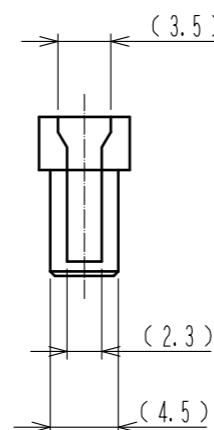
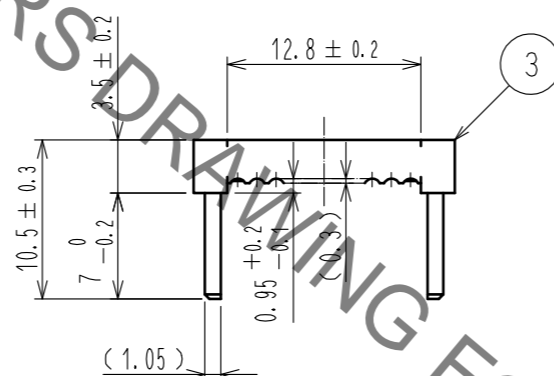
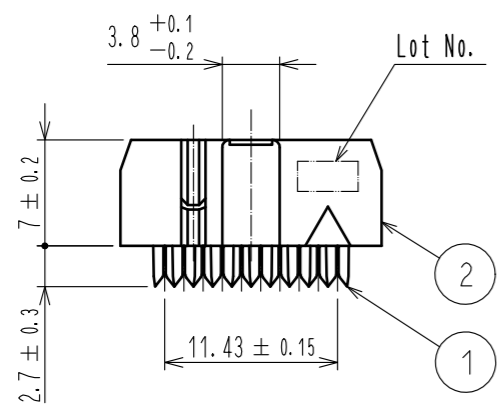
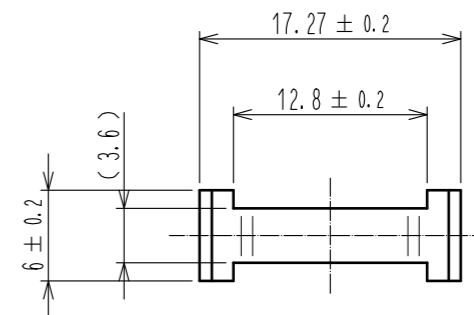
Jun.1.2023 Copyright 2023 HIROSE ELECTRIC CO., LTD. All Rights Reserved.
 In case of consideration for using Automotive equipment / device which demand high reliability, kindly contact our sales window correspondents.



Protector



Clamp



- Notes 1 The dimensions in parentheses are for reference.
 2 Once a connector is harnessed, the connector shall not be re-harnessed to a different cable. Protectors and clamps shall also not be re-used once used in assembly. When repair is needed, please replace the connector as well as all connector parts.

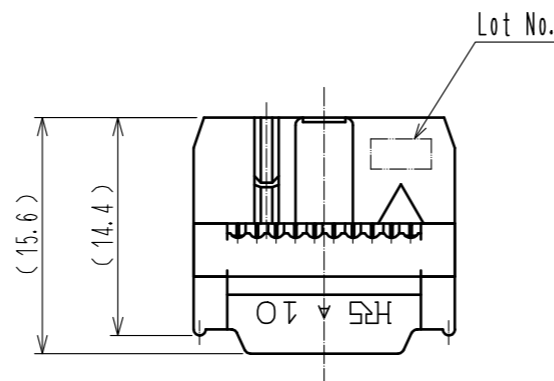
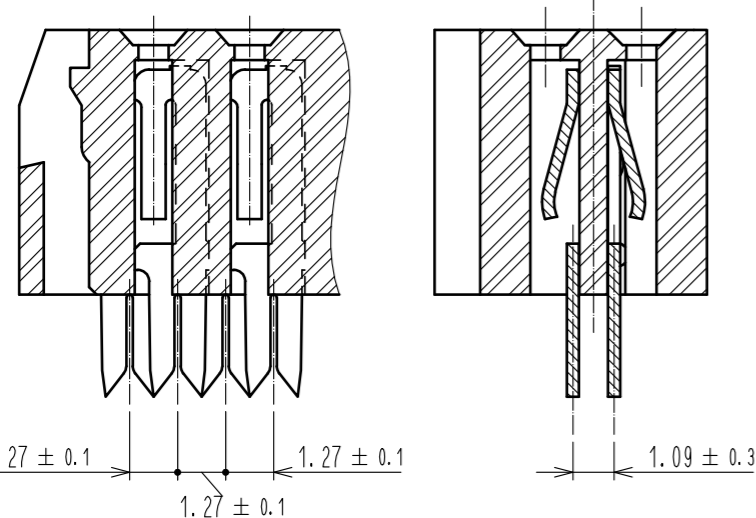
Re-using connector and connector parts may cause continuity failure due to contact deformation / breakage, lock part destruction, etc.

- 3 UL(File No. E52653)
 C-UL(File No. E52653) authorization article. **UL**

A-A (5:1)

B-B (5:1)

Assembly figure



| 1 | BERYLLIUM COPPER | Contact area : Gold 0.2 μm min. | 4 | PBT | BLACK | UL94V-0 |
|--------------------------|------------------|---------------------------------|-------|--------------------------------|------------------|---------------|
| | | Other area : Gold 0.03 μm min. | 3 | PBT | BLACK | UL94V-0 |
| | | Under plating : Nickel | 2 | PBT | BLACK | UL94V-0 |
| NO. | MATERIAL | FINISH . REMARKS | NO. | MATERIAL | FINISH . REMARKS | |
| UNITS | mm | SCALE | COUNT | DESCRIPTION OF REVISIONS | DESIGNED | CHECKED |
| | | 2 : 1 | 1 | DIS-F-00005872 | AK. IWAHORI | HT. YAMAGUCHI |
| | | | | DATE | | 20200221 |
| APPROVED : HT. YAMAGUCHI | | 20181211 | | DRAWING NO. EDC-017335-63-00 | | |
| CHECKED : HT. YAMAGUCHI | | 20181211 | | PART NO. HIF3BA-10D-2. 54R(63) | | |
| DESIGNED : MT. ITANO | | 20181211 | | CODE NO. CL610-0021-7-63 | | |
| DRAWN : MK. OOKI | | 20181207 | | | | |