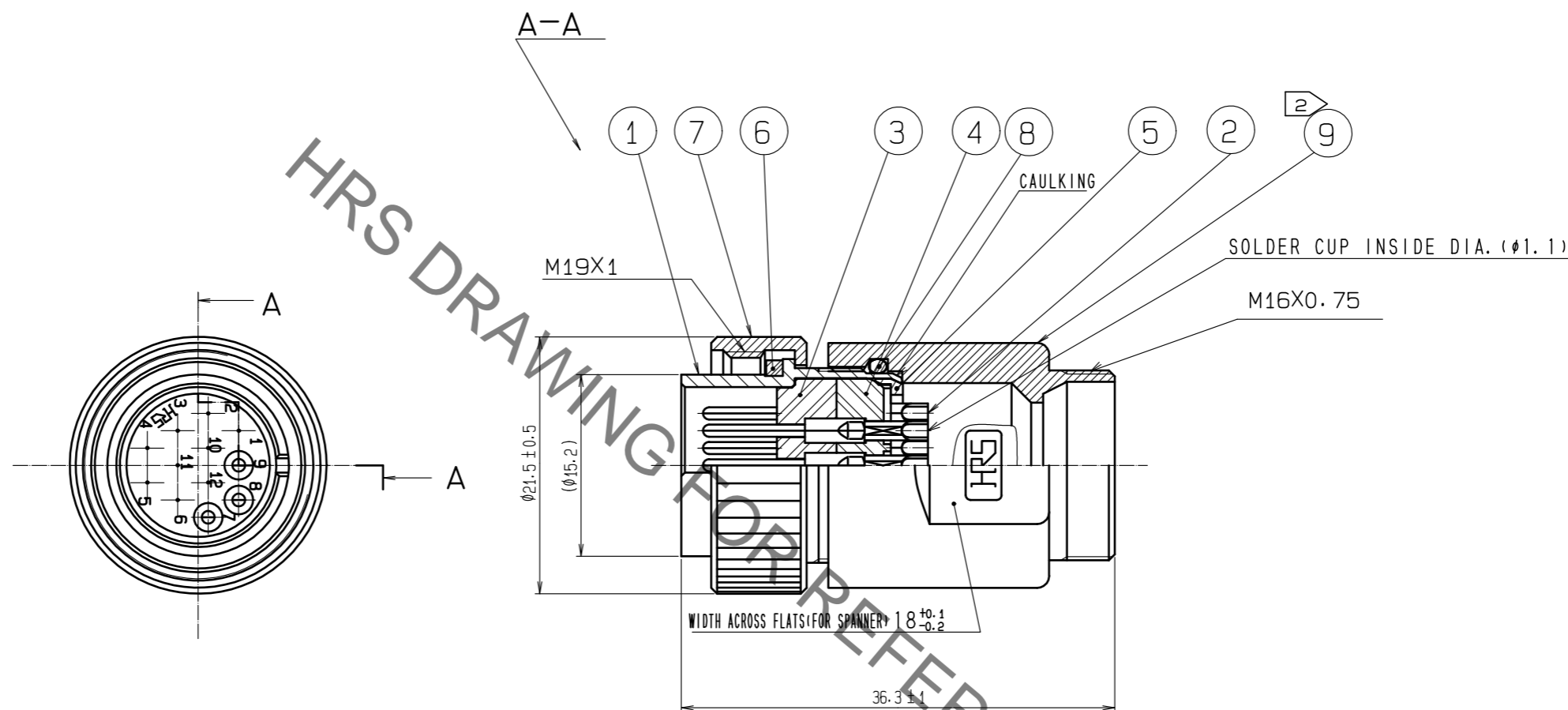


Jun.1.2023 Copyright 2023 HIROSE ELECTRIC CO., LTD. All Rights Reserved.
In case of consideration for using Automotive equipment / device which demand high reliability, kindly contact our sales window correspondents.



- NOTES
- 1 ROTATION EXAMPLES OF REF. NO. ① AND NO. ② ARE SHOWN.
 - 2 THE RECOMMENDED CLAMP TORQUE OF REF. NO. ② TO BE 3N·m.
LOCTITE 243, HENKEL JAPAN OR EQUIVALENT IS RECOMMENDED TO PREVENT REF. NO. ① AND NO. ② FROM LOOSENING.
 - 3 THIS PRODUCT TO BE USED WITH CABLECLAMP, JR13WCC-*(72).
* DESIGNATE DIAMETER OF APPLICABLE CABLE.

NO.	MATERIAL	FINISH . REMARKS	NO.	MATERIAL	FINISH . REMARKS
5	POLYACETAL	(WHITE)			
4	DIALLYL PHTHALATE	(BLACK) UL94V-0	9	ZINC ALLOY	CHROME PLATING
3	DIALLYL PHTHALATE	(BLACK) UL94V-0	8	SILICONE RUBBER Δ	(BLACK)
2	COPPER ALLOY	SILVER PLATING 2 μ m min.	7	BRASS	CHROME PLATING
1	ZINC ALLOY	CHROME PLATING	6	SILICONE RUBBER Δ	(RED)

UNITS	SCALE	COUNT	DESCRIPTION OF REVISIONS	DESIGNED	CHECKED	DATE
mm	2 : 1	2	DIS-C-00007431	TY. SUZUKI	HY. KOBAYASHI	20210803

APPROVED	: TP. KOMATSU	20210525	DRAWING NO.	EDC-111071-76-00
CHECKED	: HY. KOBAYASHI	20210525	PART NO.	RM15WTPZ-12P(76)
DESIGNED	: TY. SUZUKI	20210525	CODE NO.	CL0109-1620-6-76
DRAWN	: KR. SUZUKI	20210519		