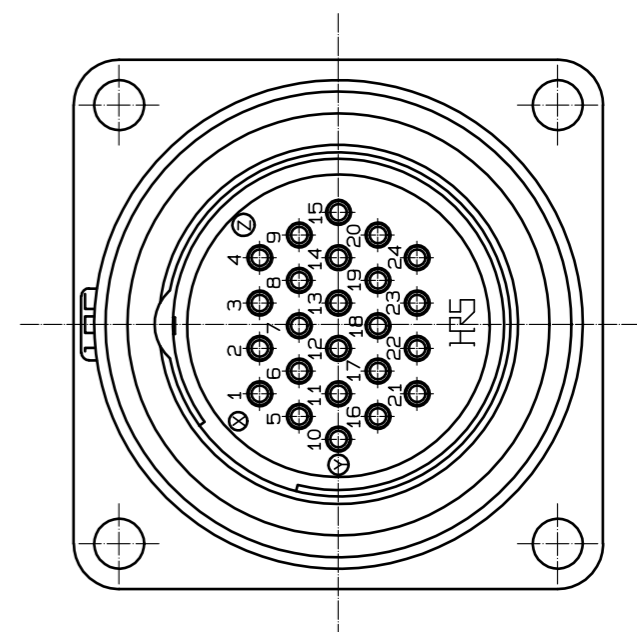
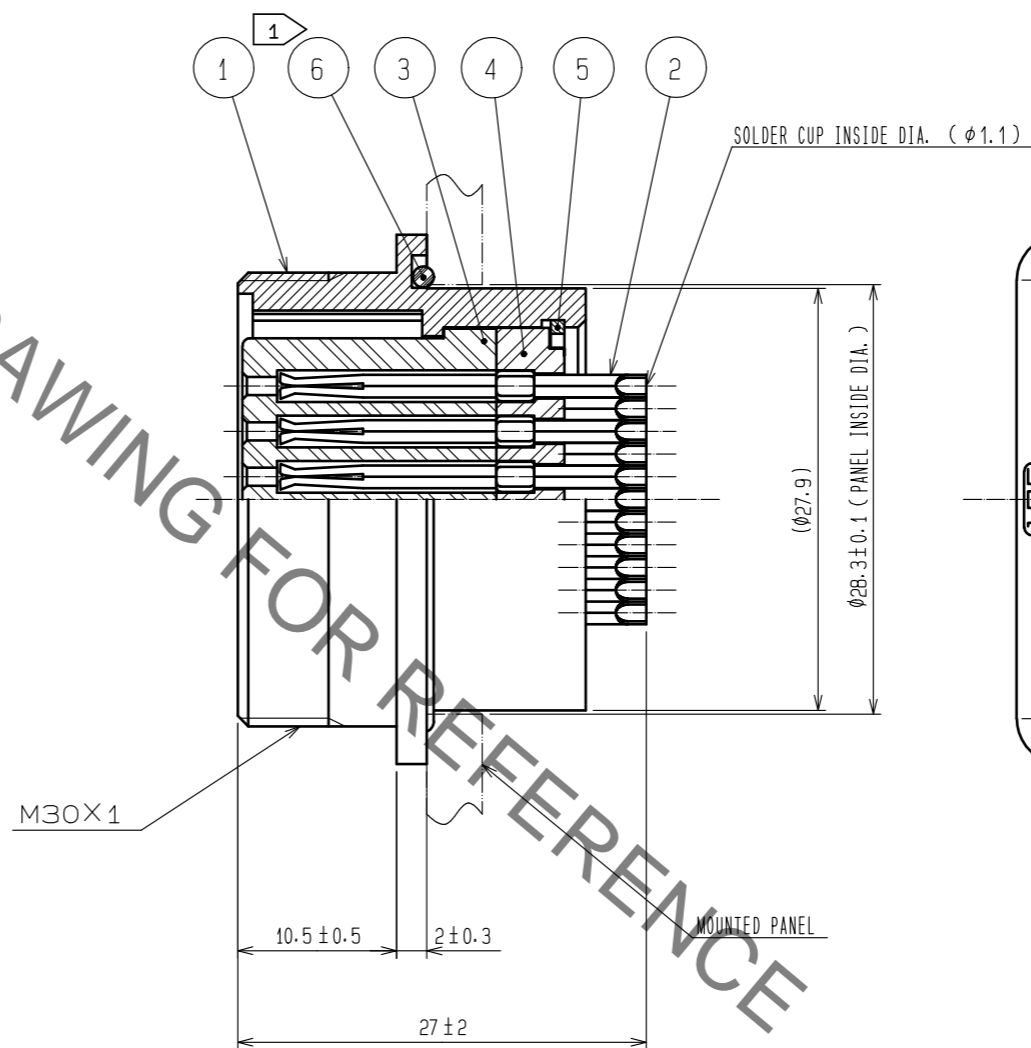
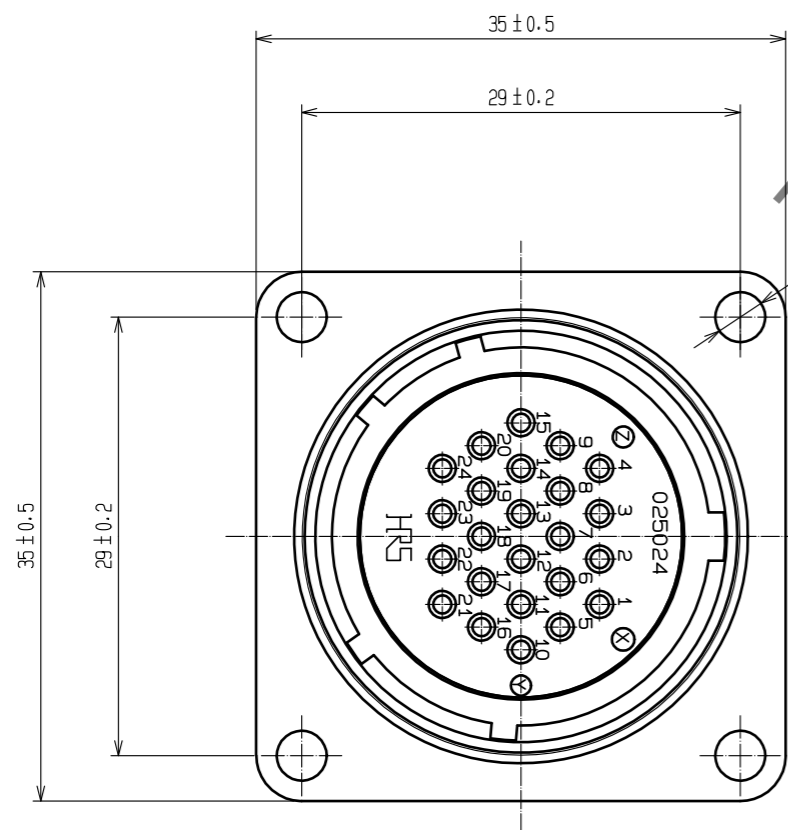


Jun.1.2023 Copyright 2023 HIROSE ELECTRIC CO., LTD. All Rights Reserved.
In case of consideration for using Automotive equipment / device which demand high reliability, kindly contact our sales window correspondents.



NOTE ① WHEN MOUNTED ON CHASSIS, BE CAREFUL THAT REFERENCE NO. ① IS FITTED INTO THE INDICATES GROOVE ANY BITING.

NO.	MATERIAL	FINISH .	REMARKS	NO.	MATERIAL	FINISH .	REMARKS
3	PHENOL-FORMALDEHYDE	(BLACK)	UL94V-0	6	NBR	(BLACK)	
2	BRASS	SILVER PLATING 2 μm min.		5	PHOSPHOR BRONZE	NICKEL PLATING	
1	ALUMINUM ALLOY	BLACK CHROME PLATING		4	PHENOL-FORMALDEHYDE	(BLACK)	UL94V-0

UNITS	SCALE	COUNT	DESCRIPTION OF REVISIONS	DESIGNED	CHECKED	DATE
mm	2 : 1	△				
APPROVED : HY. KOBAYASHI			18.02.26	DRAWING NO. EDC-110547-31-00		
CHECKED : HY. KOBAYASHI			18.02.26	PART NO. JR25WR-24S(31)		
DESIGNED : TH. KAMEYA			18.02.23	CODE NO. CL114-2044-8-31		
DRAWN : MK. INOUE			18.02.23	①/1		